

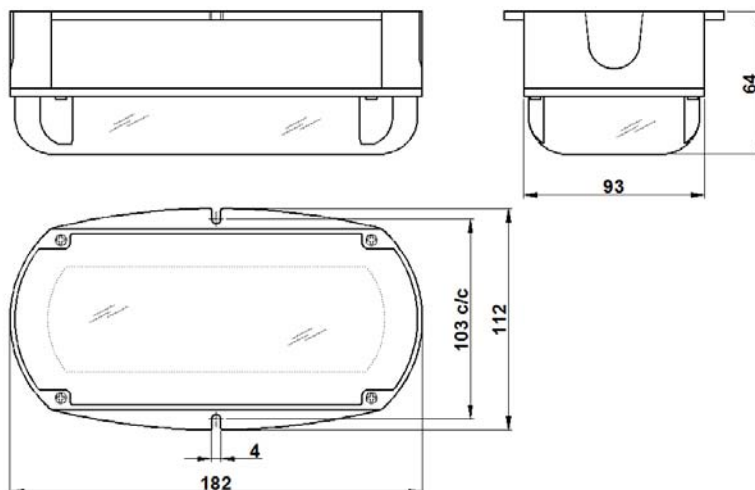


LED INDUSTRIAL LIGHTING

"WEE PLUS"

BIBWP 10W LED

LED Bulkhead luminaire



NOMINAL DIMENSIONS IN mm Tolerance +/-5

Application

- Porches, Basements,
- Stair cases, Balconies etc.

Specification

- Graphite grey (RAL7024) powder coated pressure die-cast aluminium alloy housing.
- Diffused polycarbonate held with a silicon gasket.
- Fins provided on aluminium housing for better thermal management.
- LEDs are mounted on pressure Die-cast aluminium housing.
- LED specification – Make – NICHIA / Equivalent.
Colour Temp. - 5700°K ±300°K
- Inbuilt constant current driver upto 5kV surge protection.
- The luminaire is complete with all accessories wired upto a terminal block.
- PG7 Cable entry provided for to ensure better ingress protection.
- Degree of protection: IP65

Electrical Data

Product Code	Cat. Ref.	System Wattage (W)	Nominal Voltage (V)	Mains Current in Milli Amps. At 240 V	Power Factor	THD.
112334	BIBWP 10W LED	10W	240	40	≥ 0.95	<10%

Data subject to variation due to change/improvement in the design, materials and processes.

	DRAWN	KPM	22-06-2015	FOR -
	CHECKED	RN		REV - 0 DATE-24-06-2015
	APPROVED	SC		DRG.No
	DATA SHEET RELEASED ON DT-			BIBWP 10W LED - 001
BAJAJ ELECTRICALS LIMITED 15/17, SANT SAVTA MARG, REAY ROAD, MUMBAI-400 010.				* E-mail : Luminaires@bajajelectricals.com