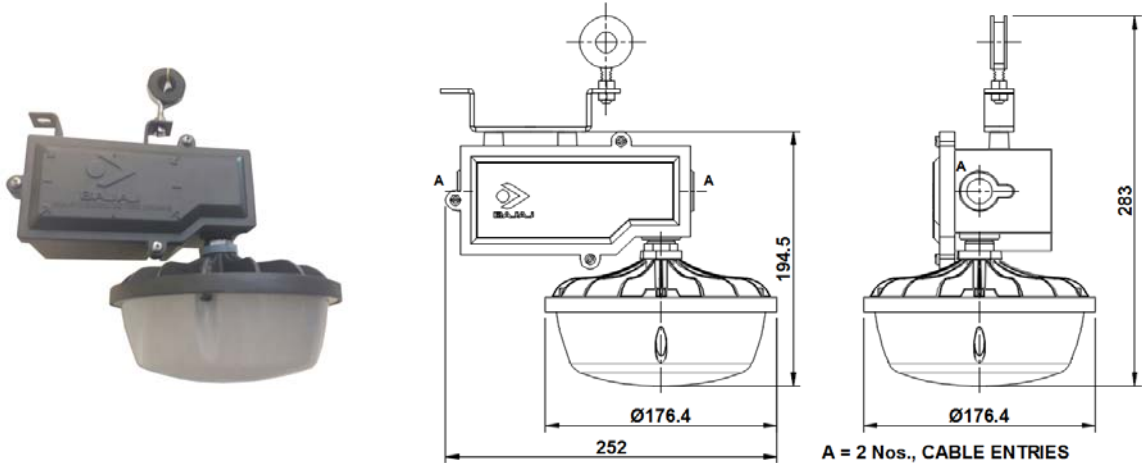




INDUSTRIAL LIGHTING

BGWD 35W LED WH
BGWD 35W LED WW

Integral LED wellglass Luminaire



Dimensions in mm Tolerance +/-5mm

Application

- Thermal Power Stations,
- Fertilizers plants,
- Pelletizing Plants,
- Cement Factories,
- Paper Mills, industrial bays,

Specification / Features

- Graphite grey Powder coated finished pressure die cast aluminum housing.
- Opal high transparency polycarbonate diffuser.
- Silicon gasket for LED compartment area.
- Separate control gear area with Loop in-Loop out facility.
- Discrete LEDs used in series parallel connection to get uniform light.
- Luminaire is available with different color temperature: White (WH) : 5700K \pm 300K
Warm White (WW): 3000K \pm 250K
- Constant current integral LED Driver is provided, having open/short circuit protection and input voltage surge protection.
- Eyebolt is provided for easy installation.
- Degree of protection: IP65

Electrical Data

Product Code	Cat. Ref.	Nominal Voltage (V)	System Wattage (W)	Mains Current in Amps. at 240 V	Power Factor
169953	BGWD 35W LED WH	240	35	0.15	\geq 0.95
169954	BGWD 35W LED WW	240	35	0.15	\geq 0.95

Data subject to variation due to change/improvement in the design, materials and processes.

<p>BAJAJ LUMINAIRES Making the difference</p>	DRAWN	KPM	11-07-2017	FOR -
	CHECKED	RN		REV - 0 DATE-22-08-2017
	APPROVED	DVRS		DRG.No
	DATA SHEET RELEASED ON DT-			BGWD 35W LED WH - 01
BAJAJ ELECTRICALS LIMITED LUMINAIRES BU, 601, RUSTOMJEE ASPIREE, SION, MUMBAI-400 022. * E-mail : luminaires@bajajelectricals.com				