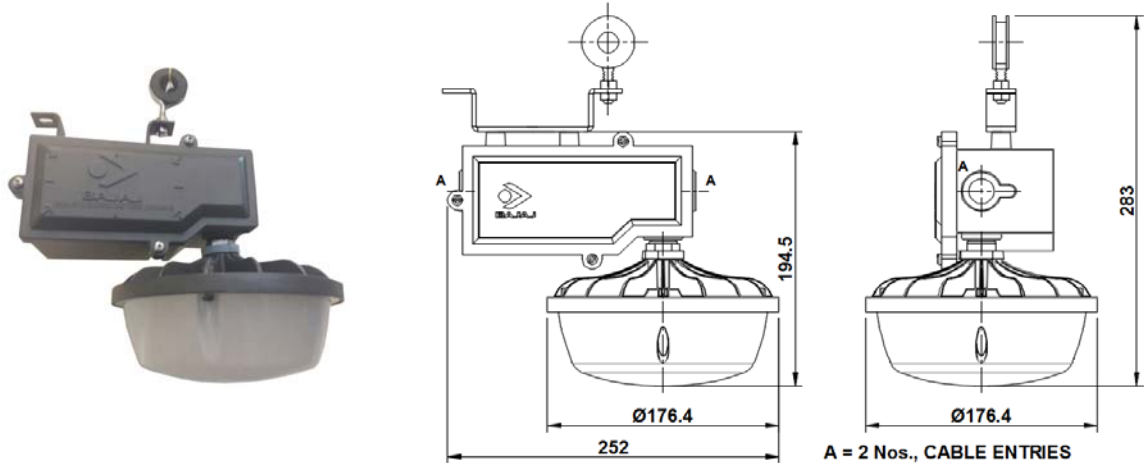




INDUSTRIAL LIGHTING

BGWD 27W LED WH
BGWD 27W LED NW

Integral LED wellglass Luminaire



Dimensions in mm Tolerance +/-5mm

Application

- Thermal Power Stations,
- Fertilizers plants,
- Pelletizing Plants,
- Cement Factories,
- Paper Mills, industrial bays,

Specification / Features

- Graphite grey Powder coated finished pressure die cast aluminum housing.
- Opal high transparency polycarbonate diffuser.
- Silicon gasket for LED compartment area.
- Separate control gear area with Loop in-Loop out facility.
- Discrete LEDs used in series parallel connection to get uniform light.
- Luminaire is available with different color temperature: White (WH) : 5700K
Neutral White (NW): 4000K
- Constant current integral LED Driver is provided, having open/short circuit protection and input voltage surge protection.
- Eye-bolt is provided for easy installation.
- Degree of protection: IP65

Electrical Data

Product Code	Cat. Ref.	Nominal Voltage (V)	System Wattage (W)	Mains Current in Milli Amps. at 240 V	Power Factor
169850	BGWD 27W LED WH	240	27	118	≥ 0.95
169851	BGWD 27W LED NW	240	27	118	≥ 0.95

Data subject to variation due to change/improvement in the design, materials and processes.

<p>BAJAJ LUMINAIRE Making the difference</p>	DRAWN	KPM	27-06-2016	FOR -
	CHECKED	RN		REV - 0 DATE-02-08-2016
	APPROVED	DVRS		DRG.No
	DATA SHEET RELEASED ON DT-			BGWD 27W LED WH - 01
BAJAJ ELECTRICALS LIMITED 15/17, SANT SAVTA MARG, REAY ROAD, MUMBAI-400 010.				* E-mail : luminaires@bajajelectricals.com