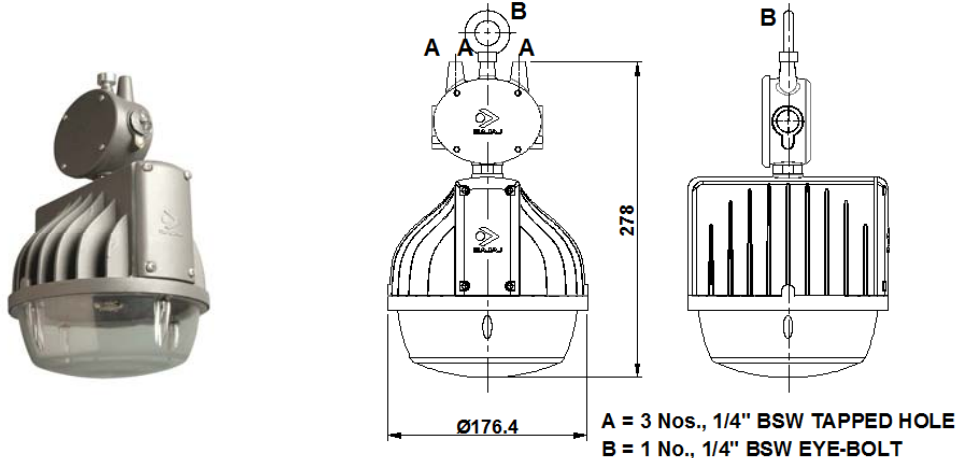




## INDUSTRIAL LIGHTING "VERDANT"

BIWICP 35W LED

### Integral wellglass LED Luminaire



Dimensions in mm Tolerance +/-5mm

#### Application

- Thermal Power Stations,
- Fertilizers plants,
- Pelletizing Plants,
- Cement Factories,
- Paper Mills, industrial bays,
- Energy effective one-to-one replacement of 70W HPSV/MH well glass luminaire.

#### Specification / Features

- Epoxy Powder coated finished pressure die cast aluminum lamp housing.
- Clear polycarbonate front cover in wellglass form with specially designed gasket.
- Junction Box provided for easy installation with Loop in-Loop out.
- LED specification : Make : CREE/Equivalent, Type: COB LED  
LED CCT: 5700°K. ±300°K
- Constant current integral LED Driver is provided, having open/short circuit protection and input voltage surge protection.
- Eye-bolt (suitable for 1/4" BSW tapped hole) is provided for easy installation.
- Degree of protection: IP65

#### Electrical Data

Product Code	Cat. Ref.	System Wattage (Watts)	Nominal Voltage (V)	Mains Current in Amps. at 240 V	Power Factor
169552	BIWICP 35W LED	35	240	0.155	≥ 0.95

Data subject to variation due to change/improvement in the design, materials and processes.

<p><b>BAJAJ LUMINAIRES</b> Making the difference</p>	DRAWN	KPM	27-01-2014	FOR -
	CHECKED	SM		REV - 1 DATE-17-03-2015
	APPROVED	SC		DRG.No
	DATA SHEET RELEASED ON DT-			<b>BIWICP 35W LED-001</b>
BAJAJ ELECTRICALS LIMITED 15/17, SANT SAVTA MARG, REAY ROAD, MUMBAI-400 010.				* E-mail : <a href="mailto:luminaires@bajajelectricals.com">luminaires@bajajelectricals.com</a>