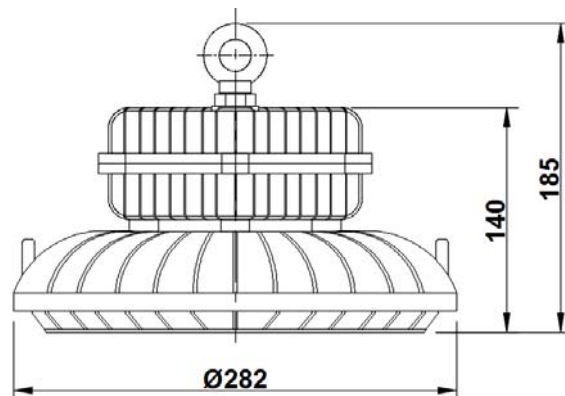




LED INDUSTRIAL LIGHTING "DURANTO"

BAJAJ BGHB 100W / 120W LED GV

100W/120W LED Highbay Luminaire



NOMINAL DIMENSIONS IN mm Tolerance +/-5

Application

- Airport hangers and warehouses, Engineering industries,
- Thermal power stations, Railway concourse halls, Steel plants,
- Shopping malls, Departmental stores, Food plaza, etc.

Specification

- Powder coated high pressure die-cast aluminium housing and LED driver compartment.
- Eye-bolt provided for suspension mounting.
- LED fixed on die-cast aluminum heat sink for proper thermal management.
- LED Colour Temp. : 5700K
- Optics: Secondary lens optics provided.
- Driver: Constant voltage constant current SMPS, operating voltage range 100–300V AC, provided with open and short circuit protection and input surge voltage protection.
- Completely prewired with accessories up to terminal block.
- Ingress Protection: IP65

Electrical Data

Product Code	Cat. Ref.	Nominal Voltage (V) AC	System Wattage (W)	Mains Current in Amps. At 240V AC	Power Factor
169933	BGHB 100W LED GV	240	100W	0.43	≥ 0.95
169934	BGHB 120W LED GV	240	120W	0.52	≥ 0.95

Data subject to variation due to change/improvement in the design, materials and processes.

<p>BAJAJ LUMINAIRES Making the difference</p>	DRAWN	KPM	02-12-2016	FOR -
	CHECKED	DVRS		REV - 0 DATE-16-06-2017
	APPROVED	DVRS		DRG. No
	DATA SHEET RELEASED ON DT-			BGHB 120W LED GV - 01
BAJAJ ELECTRICALS LIMITED LUMINAIRES BU, 601, RUSTOMJEE ASPIREE, SION, MUMBAI-400 022.				* E-mail : luminaires@bajajelectricals.com