



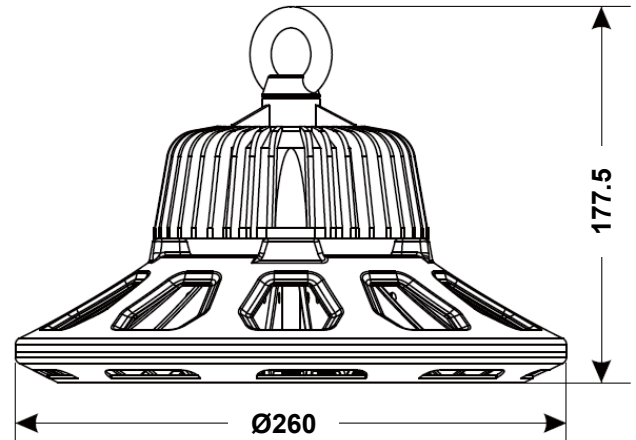
## LED INDUSTRIAL LIGHTING

"BLAZE"

**BAJAJ**

BGHBM 100W XE

## 100W LED Highbay Luminaire



NOMINAL DIMENSIONS IN mm Tolerance +/-5

## Application

- Airport hangers and warehouses, Heavy engineering industries,
- Thermal power stations, Railway concourse halls, Steel plants,
- Shopping malls, Departmental stores, Food plaza, etc.

## Specification

- AL1070 Powder coated Aluminium housing.
- Powder coated control gear unit made of pressure die-cast aluminium.
- LED fixed to MCPCB on aluminum housing for proper thermal management.
- LED Colour Temp. : 5700K
- Optics: Secondary lens optics provided.
- Constant current LED driver provided with surge protection of 4kV.
- Input voltage range: 120–277V AC.
- Completely prewired with accessories.
- Eye-bolt provided for suspension mounting.
- Ingress Protection: IP65
- Finish: Glossy, black powder coated.

## Electrical Data

Product Code	Cat. Ref.	Nominal Voltage (V) AC	System Wattage (W)	Mains Current in Amps. At 240V AC	Power Factor
169894	BGHBM 100W XE	240	100W	0.438	> 0.91

Data subject to variation due to change/improvement in the design, materials and processes.

 <b>BAJAJ LUMINAIRES</b> <i>Making the difference</i>	DRAWN	KPM	16-11-2016	FOR –
	CHECKED	AS		REV - 0 DATE-28-12-2016
	APPROVED	DVRS		DRG. No
	DATA SHEET RELEASED ON DT-			<b>BGHBM 100W XE - 001</b>
<b>BAJAJ ELECTRICALS LIMITED</b> 15/17, SANT SAVTA MARG, REAY ROAD, MUMBAI-400 010.				* E-mail : <a href="mailto:luminaires@bajajelectricals.com">luminaires@bajajelectricals.com</a>