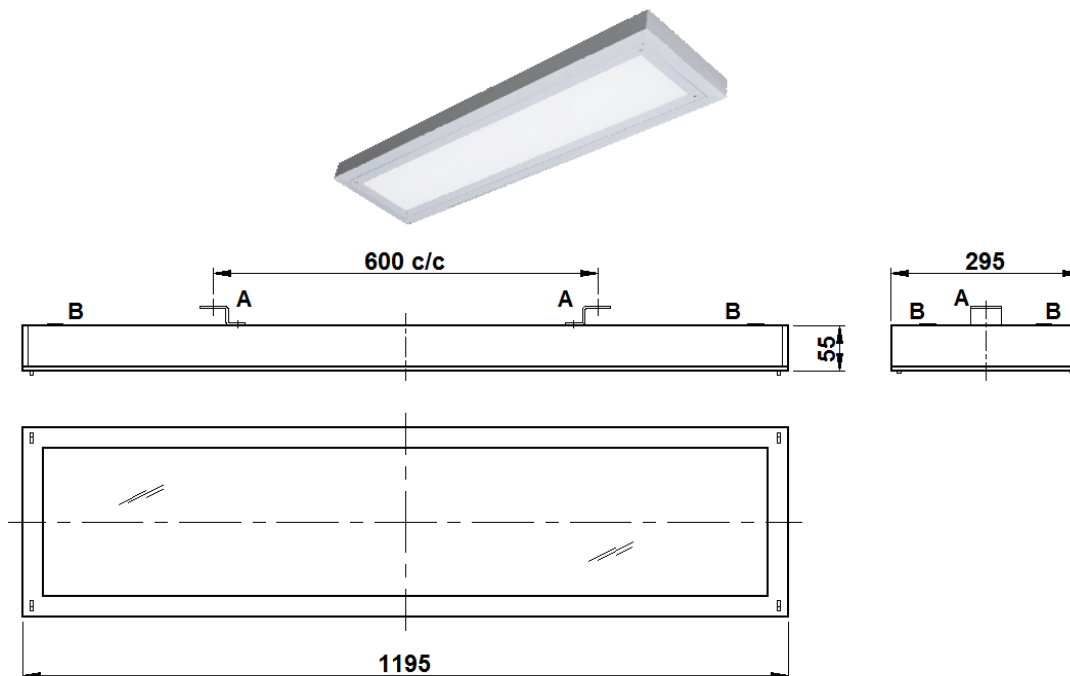




4' x 1' SURFACE LED LUMINAIRE
 "SKYLUX"
 BZSSLL 36W WH / NW

SURFACE MOUNTED LED LUMINAIRE



A = 2 Nos., CONDUIT MOUNTING BRACKETS
 B = 4 Nos., HOLES FOR SURFACE MOUNTING

NOMINAL DIMENSIONS IN mm Tolerance +/-5

Application

Surface mounting LED luminaire suitable for interior illumination of:

- Commercial complexes, Showrooms, Airport lounges, computer centers,
- Banks, Hospitals, Conference halls, Design offices, Control rooms, Laboratories, etc.

Specification

- CRCA steel sheet housing comprising of White (WH) / Neutral White (NW) LED's connected in series parallel.
- Opal acrylic diffuser fixed in separate CRCA sheet steel frame.
- Opal acrylic diffuser frame is held in with specially designed trigger locks.
- Driver: Constant current output driver, operating range 150 – 265V AC supply voltages.
- Finish: Housing white powder coated. (RAL 9016)

Electrical Data

Product Code	Cat. Ref.	System Wattage (W)	Nominal Voltage (V)	Mains Current in Milli Amps. At 240 V	Power Factor
112087	BZSSLL 36W WH	36W	240	155	0.95
112088	BZSSLL 36W NW	36W	240	155	0.95

Data subject to variation due to change/improvement in the design, materials and processes.

<p>BAJAJ LUMINAIRE Making the difference</p>	DRAWN	KPM	23-12-2014	FOR –
	CHECKED	SD		REV - 1 DATE-07-08-2015
	APPROVED	DVRS		DRG. No
	DATA SHEET RELEASED ON DT-			BZSSLL 36W WH/NW - 001
BAJAJ ELECTRICALS LIMITED 15/17, SANT SAVTA MARG, REAY ROAD, MUMBAI-400 010.				* E-mail : luminaires@bajajelectricals.com