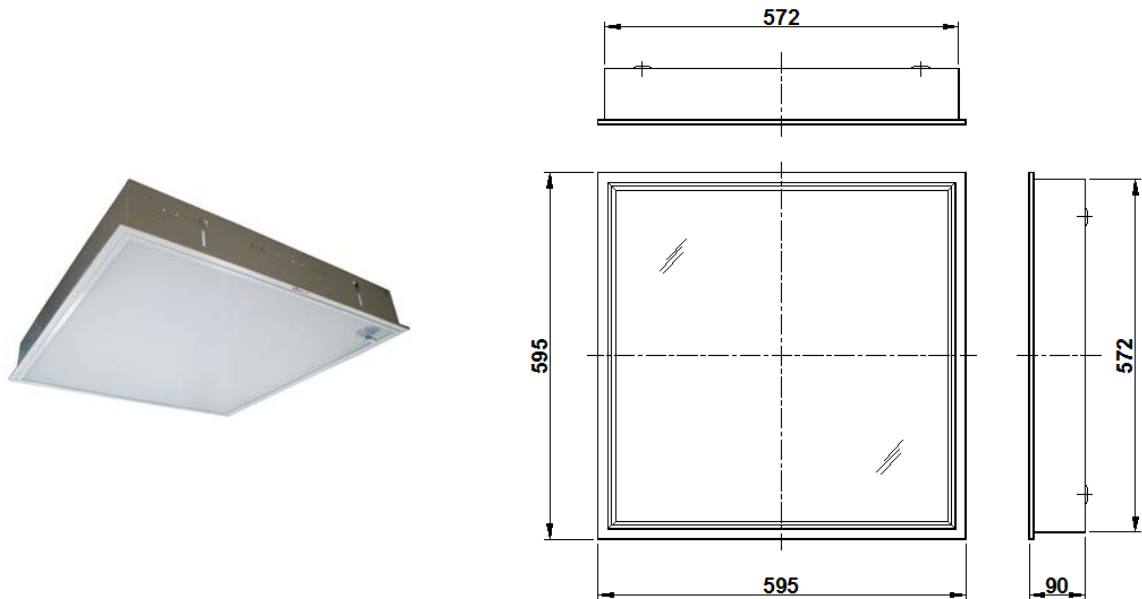




2' x 2' RECESS LED LUMINAIRES

"SKYLITE"

BCTBLR 36W ZTN WH / NW



NOMINAL DIMENSIONS IN mm Tolerance +/-5

Application

Recess mounting LED luminaire suitable for interior illumination of:

- Commercial complexes, Showrooms,
- Airport lounges, computer centers,
- Banks, Hospitals, Conference halls,
- Design offices, Control rooms, Laboratories, etc.

Specification

- CRCA steel sheet housing comprising of White (WH) / Neutral White (NW) LED's connected in series parallel.
- Opal diffuser fixed in separate extruded aluminium frame.
- Opal diffuser frame is held in with wishbone springs and it can be suspended for easy maintenance.
- Driver: Constant current output driver, operating range 150 – 275V AC supply voltages.
- Finish: White powder coated (RAL 9016)
- Degree of protection – IP20

Electrical Data

Product Code	Cat. Ref.	System Wattage (W)	Nominal Voltage (V)	Mains Current in Milli Amps. At 240 V	Power Factor
111980	BCTBLR 36W ZTN WH	36W	240	155	0.95
111981	BCTBLR 36W ZTN NW	36W	240	155	0.95

Data subject to variation due to change/improvement in the design, materials and processes.

<p>BAJAJ LUMINAIRES Making the difference</p>	DRAWN	KPM	25-08-2014	FOR –
	CHECKED	SD		REV - 0 DATE-25-08-2014
	APPROVED	SC		DRG. No
	DATA SHEET RELEASED ON –			BCTBLR 36W ZTN WH - 001
BAJAJ ELECTRICALS LIMITED 15/17, SANT SAVTA MARG, REAY ROAD, MUMBAI-400 010.				* E-mail : luminaires@bajajelectricals.com