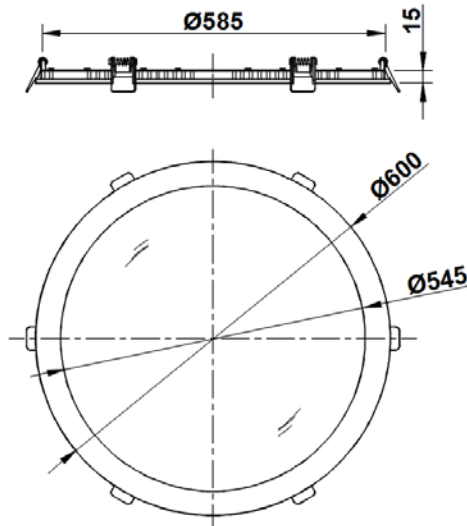




RECESS MOUNTED LED LUMINAIRES

"AMERIS"

BXTAR 40W LED WH



Required Cutout Size in ceiling – Ø590mm

NOMINAL DIMENSIONS IN mm Tolerance +/-5

Application

- Commercial complexes,
- Airport lounges, computer centers,
- Banks, Hospitals, Conference halls,
- Design offices, etc.

Specification

- Circular die-cast aluminium recess mounted housing comprising of LED's.
- Opal diffuser fixed in die-cast aluminium housing.
- Luminaire is available with color temperature: White (WH) : 5700K ±300K
- Suitable for recess mounting: Through six nos. spring loaded latches.
- Driver: Constant current output driver, operating range 150–265V AC supply voltages.
- Finish: White powder coated (RAL9016).
- Degree of protection: IP20

Electrical Data

Product Code	Cat. Ref.	Nominal Voltage (V)	System Wattage (W)	Mains Current in Amps. At 240 V	Power Factor
112834	BXTAR 40W LED WH	240	40W	0.185	≥ 0.9

Data subject to variation due to change/improvement in the design, materials and processes.

<p>BAJAJ LUMINAIRES Making the difference</p>	DRAWN	KPM	26-07-2017	FOR –
	CHECKED	AS		REV - 0 DATE-26-09-2017
	APPROVED	DVRS		DRG. No
	DATA SHEET RELEASED ON DT-			BXTAR 40W LED WH - 001