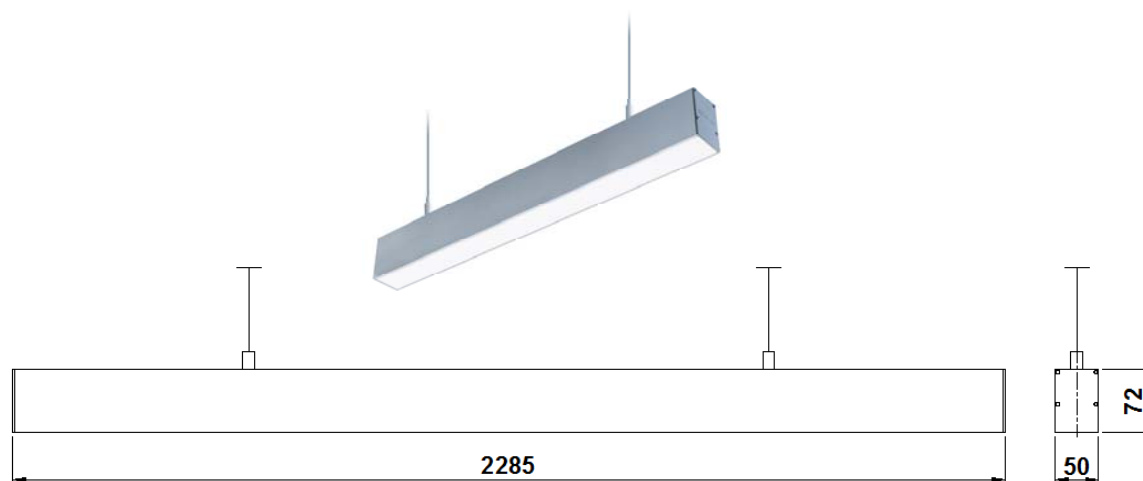




COMMERCIAL DECORATIVE LIGHTING

BPTXn 2-20W LED8F NW / WH / WW



NOMINAL DIMENSIONS IN mm Tolerance +/-5

Application

- Passage, corridor lighting (ESP. IT, ITES)
- Premium & Mini Offices, Shopping malls,
- Consultancy rooms, Reception areas,
- Hospitality industry.

Specification

- Housing: Extruded aluminium housing fitted with metal end cap.
- Diffuser: Easy fit opal acrylic diffuser provides smooth light distribution.
- LEDs: Mounted on PCB and connected in series parallel combination.
- Luminaire is available with different color temperature: White (WH) : 5700°K \pm 300°K
Neutral White (NW): 4000°K \pm 275°K
Warm White (WW): 3000°K \pm 250°K
- Driver: 2 nos., Constant current output driver, operating range 150 – 275V AC supply voltages.
- Mounting type: Luminaire is suspended with the help of 2 nos., of suspension system (1.5 mtr. Length) which comes along with luminaire.

Note: Suitable for standalone installation only.

Electrical Data

Product Code	Cat. Ref.	Total System Wattage (W)	Nominal Voltage (V)	Mains Current in Milli Amps. At 240 V	Power Factor	THD.
112235	BPTXn 2-20W LED8F NW	40	240	180	0.95	<10%
112236	BPTXn 2-20W LED8F WH	40	240	180	0.95	<10%
112237	BPTXn 2-20W LED8F WW	40	240	180	0.95	<10%

Data subject to variation due to change/improvement in the design, materials and processes.

<p>BAJAJ LUMINAIRES Making the difference</p>	DRAWN	KPM	16-03-2015	FOR –
	CHECKED	SP		REV - 0 DATE-31-08-2015
	APPROVED	DVRS		DRG.No
	DATA SHEET RELEASED ON DT-			BPTXn 2-20W LED8F- 001
BAJAJ ELECTRICALS LIMITED 15/17, SANT SAVTA MARG, REAY ROAD, MUMBAI-400 010.				* E-mail : luminaires@bajajelectricals.com