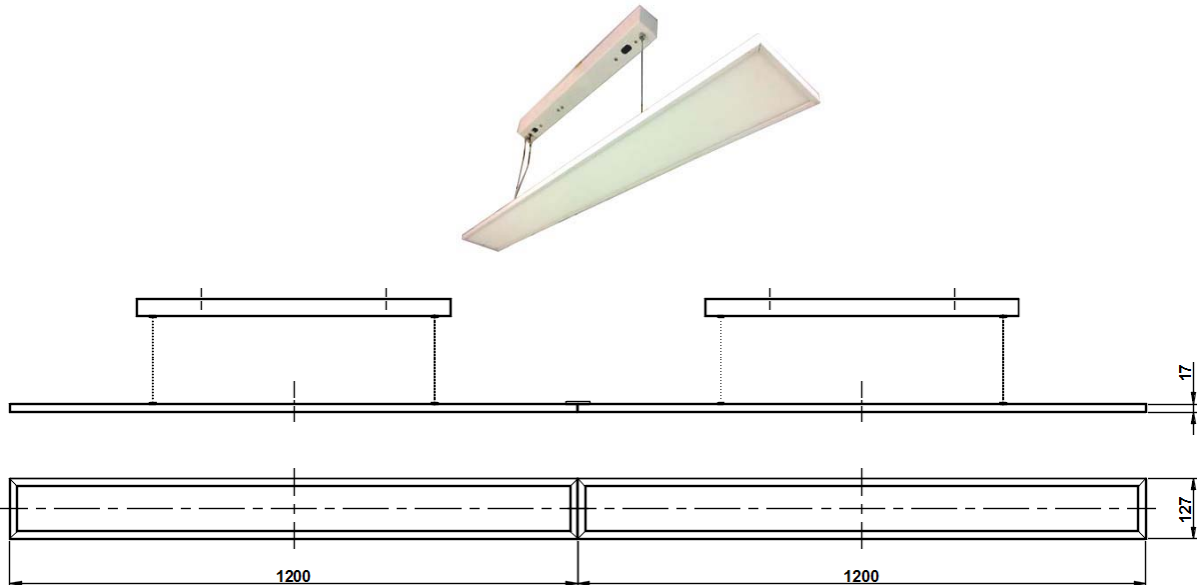




SUSPENDED MOUNTING LED UP/DOWN LUMINAIRE

BZSUDL 80W 8F3U7D WH A-DIM

80W LED Up/down Luminaire



NOMINAL DIMENSIONS IN mm Tolerance +/-5

Application

Suspended mounting LED luminaire suitable for interior illumination of:

- Commercial offices, Board Rooms,
- COE cabins, Banks, Computer centers, etc.

Specification

- Energy efficient suspended mounted up/down LED flat panel in White (WH) color with side-emitting LED array.
- Luminaire is available with color temperature: White (WH) : 5700K
- Extruded aluminium housing contains LED source. Has a high efficiency PS diffuser, which provides higher lumen package (30% up and 70% down ratio) to create uniform & diffuse appearance.
- Luminaire is provided with 2 Nos., analog dimmable driver.
- Mounting type: Suspension mounting through 'Y' Type suspension.
- Finish: White powder coated.
- Ingress Protection : IP20

Electrical Data

Product Code	Cat. Ref.	Nominal Voltage (V) & Freq. (Hz.)	System Wattage (Watts)	Mains Current in Amps. At 240 V	Power Factor
112761	BZSUDL 80W 8F3U7D WH A-DIM	230V, 50Hz	80	0.34	>0.94

Data subject to variation due to change/improvement in the design, materials and processes.

<p><b>BAJAJ LUMINAIRES</b> Making the difference</p>	DRAWN	KPM	20-12-2016	FOR –
	CHECKED	DVRS		REV - 0 DATE-16-01-2017
	APPROVED	DVRS		DRG. No
	DATA SHEET RELEASED ON –			<b>BZSUDL 80W 8F3U7D WH-01</b>