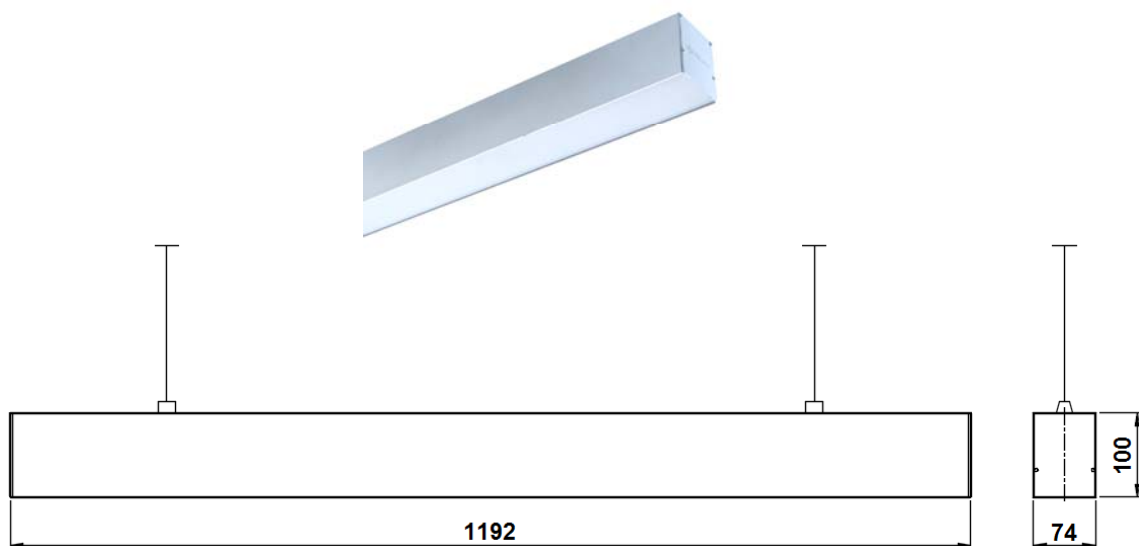




COMMERCIAL DECORATIVE LIGHTING

BPTX 36W UDL LED4F WH / NW



NOMINAL DIMENSIONS IN mm Tolerance +/-5

Application

- Passage, corridor lighting (ESP. IT, ITES)
- Premium & Mini Offices, Shopping malls,
- Consultancy rooms, Reception areas,
- Hospitality industry.

Specification

- Housing: Extruded aluminium housing fitted with metal end cap suitable for Up/Down light application.
- Diffuser: Easy fit opal acrylic diffuser provides smooth light distribution.
- LEDs: Mounted on PCB and connected in series parallel combination.
- Luminaire is available with different color temperature: White (WH) : 5700K
Neutral White (NW): 4000K
- Driver: 1 no., Constant current output driver, operating range 150–275V AC supply voltages.
- Mounting type: Luminaire is suspended with the help of 2 nos., of suspension system. (1.5 mtr. Length) which comes along with luminaire.

Electrical Data

Product Code	Cat. Ref.	Total System Wattage (W)	Nominal Voltage (V)	Mains Current in Milli Amps. At 240 V	Power Factor
112595	BPTX 36W UDL LED4F WH	36	240	157	0.95
--	BPTX 36W UDL LED4F NW	36	240	157	0.95

Data subject to variation due to change/improvement in the design, materials and processes.

	DRAWN	KPM	11-04-2016	FOR –
	CHECKED	SP		REV - 0 DATE-13-07-2016
	APPROVED	DVRS		DRG.No
	DATA SHEET RELEASED ON DT-			BPTX 36W UDL LED4F WH-01
BAJAJ ELECTRICALS LIMITED 15/17, SANT SAVTA MARG, REAY ROAD, MUMBAI-400 010.				* E-mail : luminaires@bajajelectricals.com