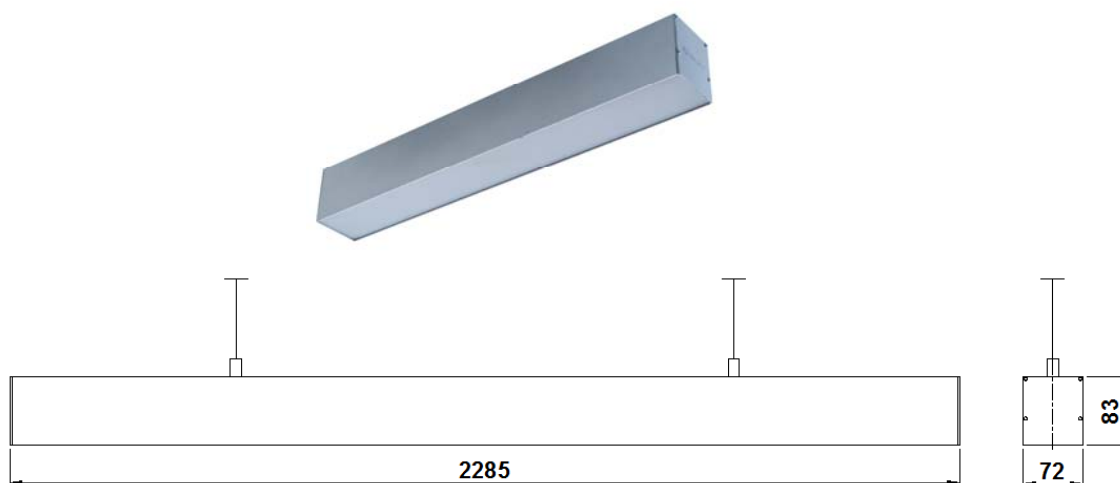




COMMERCIAL DECORATIVE LIGHTING
 "CONNECT"
 BPTX 2-40W LED8F NW / WH / WW



NOMINAL DIMENSIONS IN mm Tolerance +/-5

Application

- Passage, corridor lighting (ESP. IT, ITES)
- Premium & Mini Offices, Shopping malls,
- Consultancy rooms, Reception areas,
- Hospitality industry.

Specification

- Housing: Extruded aluminium housing fitted with metal end cap.
- Diffuser: Easy fit opal acrylic diffuser provides smooth light distribution.
- LEDs: Mounted on PCB and connected in series parallel combination.
- Luminaire is available with different color temperature: White (WH) : 5700°K \pm 300°K
 Neutral White (NW): 4000°K \pm 275°K
 Warm White (WW): 3000°K \pm 250°K
- Driver: 2 nos., Constant current output driver, operating range 150 – 275V AC supply voltages.
- Mounting type: Luminaire is suspended with the help of 2 nos., of suspension system (1.5 mtr. Length) which comes along with luminaire.

Note: For connecting one luminaire to other, refer installation instruction sheet available with the packaging.

Electrical Data

Product Code	Cat. Ref.	Total System Wattage (W)	Nominal Voltage (V)	Mains Current in Milli Amps. At 240 V	Power Factor	THD
112223	BPTX 2-40W LED8F NW	80	240	380	0.95	<10%
112224	BPTX 2-40W LED8F WH	80	240	380	0.95	<10%
112225	BPTX 2-40W LED8F WW	80	240	380	0.95	<10%

Data subject to variation due to change/improvement in the design, materials and processes.

<p>BAJAJ LUMINAIRES Making the difference</p>	DRAWN	KPM	16-03-2015	FOR –
	CHECKED	SP		REV - 0 DATE-31-08-2015
	APPROVED	DVRS		DRG.No
	DATA SHEET RELEASED ON DT-			BPTX 2-40W LED8F- 001
BAJAJ ELECTRICALS LIMITED 15/17, SANT SAVTA MARG, REAY ROAD, MUMBAI-400 010.				* E-mail : luminaires@bajajelectricals.com