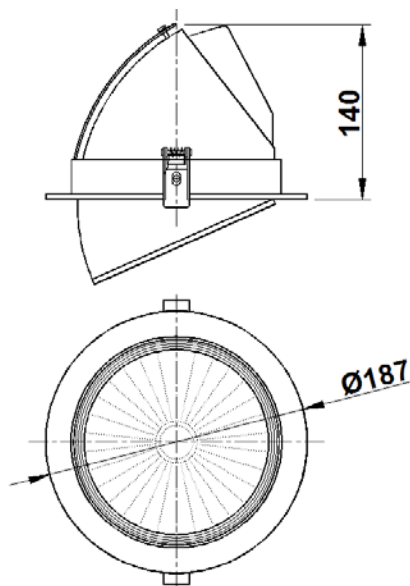




RETAIL LIGHTING

BXDR 50W WH



CUTOUT REQUIRED IN CEILING = 167mm

NOMINAL DIMENSIONS IN mm Tolerance +/-5

Applications

- Shopping malls,
- Retail show rooms, etc.

Specification

- White powder coated recess mounting pressure die-cast aluminium housing.
- Specially designed swivel type to adjust luminaire from 0° to 60° depending on lighting design need.
- Die-cast aluminium carriage assembly provided with heat sink for efficient dissipation of heat – important for LED luminaires.
- Lighting system comprising of COB LED & reflector : White (WH) : 5700°K ±300°K
- Spring loaded mounting brackets to suit false ceiling – easy to install & maintain.
- Constant current output driver, operating range 150–275V AC supply voltages.
- Ingress protection – IP20

Electrical Data

Product Code	Cat. Ref.	Nominal Voltage (V)	System Wattage (W)	Mains Current in Milli Amps. At 240 V	Power Factor
111894	BXDR 50W WH	240	43W	190	0.95

Data subject to variation due to change/improvement in the design, materials and processes.

<p>BAJAJ LUMINAIRE Making the difference</p>	DRAWN	KPM	24-12-2015	FOR –
	CHECKED	SD		REV - 0 DATE-24-12-2015
	APPROVED	DVRS		DRG.No
	DATA SHEET RELEASED ON DT-			BXDR 50W WH - 001
BAJAJ ELECTRICALS LIMITED 15/17, SANT SAVTA MARG, REAY ROAD, MUMBAI-400 010.				* E-mail : luminaires@bajajelectricals.com