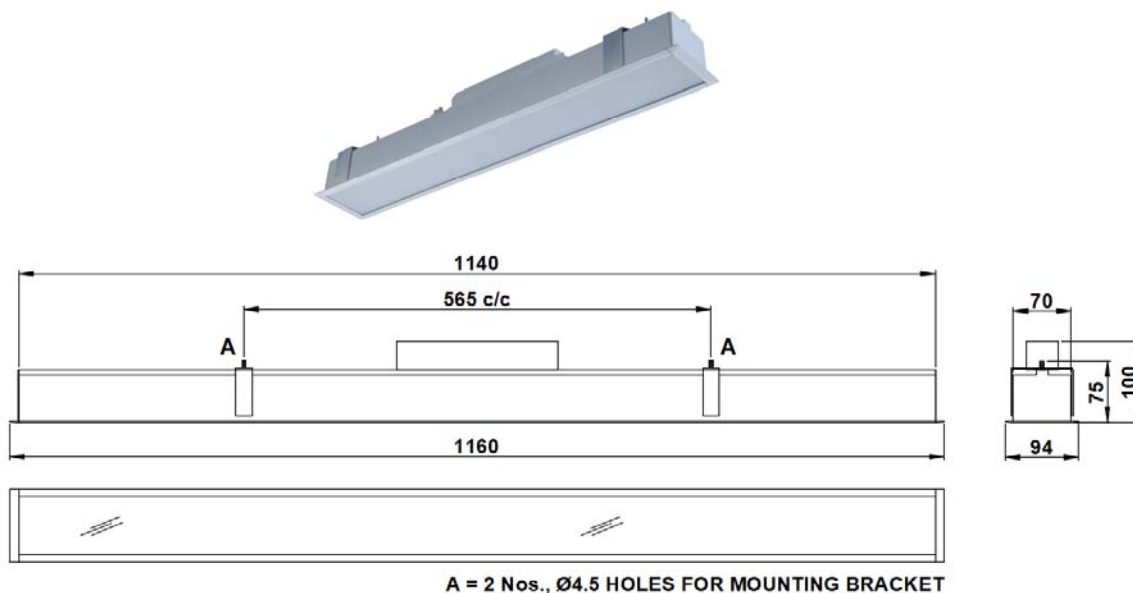




COMMERCIAL DECORATIVE LIGHTING
 "CONNECT"
 BRTX 40W LED4F WH / NW / WW



Cutout required in ceiling: 1145mm x 75mm

NOMINAL DIMENSIONS IN mm Tolerance +/-5

Application

- Premium & Mini offices, Shopping malls,
- Consultancy rooms, Reception areas, Hospitality industry.

Specification

- Housing: Extruded aluminium housing fitted with engg. Plastic end plates.
- Diffuser: Easy fit opal acrylic diffuser provides smooth light distribution.
- LEDs: Mounted on PCB and connected in series parallel combination.
- Luminaire is available with different color temperature: White (WH) : 5700K ±300K
 Neutral White (NW): 4000K ±275K
 Warm White (WW): 3000K ±250K
- Driver: constant current output driver, operating range 150 – 275V AC supply voltages, placed externally on top of the luminaire.
- Mounting type: Luminaire is recess mounted with the help of mounting bracket provided behind the luminaire.

Note: For connecting one luminaire to other, refer installation instruction sheet available with the packaging.

Electrical Data

Product Code	Cat. Ref.	Total System Wattage (W)	Nominal Voltage (V)	Mains Current in Milli Amps. At 240 V	Power Factor	THD.
112113	BRTX 40W LED4F WH	40	240	190	0.95	<10%
112116	BRTX 40W LED4F NW	40	240	190	0.95	<10%
112209	BRTX 40W LED4F WW	40	240	190	0.95	<10%

Data subject to variation due to change/improvement in the design, materials and processes.

<p>BAJAJ LUMINAIRE Making the difference</p>	DRAWN	KPM	16-03-2015	FOR –
	CHECKED	SP		REV - 0 DATE-31-01-2018
	APPROVED	DVRS		DRG.No
	DATA SHEET RELEASED ON DT-			BRTX 40W LED4F- 001