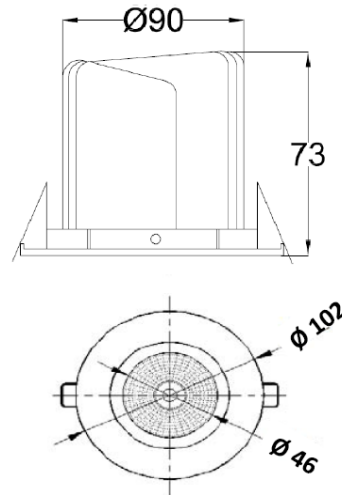




RETAIL LIGHTING

BRDCSL 6W WH / NW / WW



CEILING CUTOUT REQUIRED: Ø90mm

NOMINAL DIMENSIONS IN mm Tolerance +/-2mm

Applications

- Shopping malls,
- Retail show rooms, etc.

Specification

- White powder coated recess mounting pressure die-cast aluminium housing.
- Specially designed COB LED die-cast aluminium carriage assembly.
- Die-cast aluminium carriage assembly provided with heat sink for efficient dissipation of heat – important for LED luminaires.
- Lighting system comprising of COB LED & reflector.
- Luminaire is available with different color temperature: White (WH) : 5700K ±300K  
Neutral White (NW): 4000K ±275K  
Warm White (WW): 3000K ±250K
- Spring loaded mounting brackets to suit false ceiling – easy to install & maintain.
- Constant current output driver, operating range 150 – 275V AC supply voltages.
- Ingress protection : IP20

Electrical Data

Product Code	Cat. Ref.	Nominal Voltage (V)	System Wattage (W)	Mains Current in Milli Amps. At 240 V	Power Factor
112372	BRDCSL 6W WH	240	6W	30	0.95
112373	BRDCSL 6W NW	240	6W	30	0.95
112374	BRDCSL 6W WW	240	6W	30	0.95

Data subject to variation due to change/improvement in the design, materials and processes.

<p><b>BAJAJ LUMINAIRES</b> Making the difference</p>	DRAWN	KPM	08-07-2015	FOR –
	CHECKED	SD		REV - 1 DATE-16-06-2017
	APPROVED	DVRS		DRG.No
	DATA SHEET RELEASED ON DT-			<b>BRDCSL 6W WH - 001</b>
<b>BAJAJ ELECTRICALS LIMITED</b> 15/17, SANT SAVTA MARG, REAY ROAD, MUMBAI-400 010.				* E-mail : <a href="mailto:luminaires@bajajelectricals.com">luminaires@bajajelectricals.com</a>