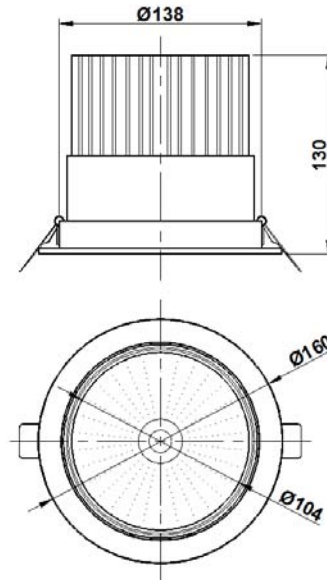




## RETAIL LIGHTING

## BRDCSL 50W WH / NW / WW



CEILING CUTOUT REQUIRED: Ø145mm

NOMINAL DIMENSIONS IN mm Tolerance +/-5

## Applications

- Shopping malls,
- Retail show rooms, etc.

## Specification

- White powder coated recess mounting pressure die-cast aluminium housing.
- Specially designed COB LED die-cast aluminium carriage assembly.
- Die-cast aluminium carriage assembly provided with heat sink for efficient dissipation of heat – important for LED luminaires.
- Lighting system comprising of COB LED & reflector.
- Luminaire is available with different color temperature: White (WH) : 5700°K ±300°K  
Neutral White (NW): 4000°K ±275°K  
Warm White (WW): 3000°K ±250°K
- 2 nos., spring loaded MS mounting brackets to suit false ceiling – easy to install & maintain.
- Constant current output driver, operating range 150 – 275V AC supply voltages.
- Ingress protection – IP20

## Electrical Data

Product Code	Cat. Ref.	Nominal Voltage (V)	System Wattage (W)	Mains Current in Milli Amps. At 240 V	Power Factor
112384	BRDCSL 50W WH	240	50W	230	0.95
112385	BRDCSL 50W NW	240	50W	230	0.95
112386	BRDCSL 50W WW	240	50W	230	0.95

Data subject to variation due to change/improvement in the design, materials and processes.

 <b>BAJAJ LUMINAIRES</b> <i>Making the difference</i>	DRAWN	KPM	08-07-2015	FOR –
	CHECKED	SD		REV - 0 DATE-10-09-2015
	APPROVED	DVRS		DRG.No
	DATA SHEET RELEASED ON DT-			<b>BRDCSL 50W WH - 001</b>