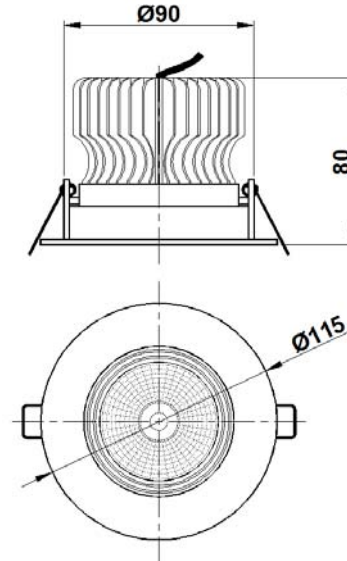




RETAIL LIGHTING

BRDCSL 16W WH / NW / WW



CEILING CUTOUT REQUIRED: Ø95mm

NOMINAL DIMENSIONS IN mm Tolerance +/-5

Applications

- Shopping malls,
- Retail show rooms, etc.

Specification

- White powder coated recess mounting pressure die-cast aluminium housing.
- Specially designed COB LED die-cast aluminium carriage assembly.
- Die-cast aluminium carriage assembly provided with heat sink for efficient dissipation of heat – important for LED luminaires.
- Lighting system comprising of COB LED & reflector.
- Luminaire is available with different color temperature: White (WH) : 5700°K ±300°K  
Neutral White (NW): 4000°K ±275°K  
Warm White (WW): 3000°K ±250°K
- Spring loaded mounting brackets to suit false ceiling – easy to install & maintain.
- Constant current output driver, operating range 150 – 275V AC supply voltages.
- Ingress protection – IP20

Electrical Data

Product Code	Cat. Ref.	Nominal Voltage (V)	System Wattage (W)	Mains Current in Milli Amps. At 240 V	Power Factor
112378	BRDCSL 16W WH	240	16W	80	0.95
112379	BRDCSL 16W NW	240	16W	80	0.95
112380	BRDCSL 16W WW	240	16W	80	0.95

Data subject to variation due to change/improvement in the design, materials and processes.

<p><b>BAJAJ LUMINAIRE</b> Making the difference</p>	DRAWN	KPM	08-07-2015	FOR –
	CHECKED	SD		REV - 0 DATE-10-09-2015
	APPROVED	DVRS		DRG.No
	DATA SHEET RELEASED ON DT-			<b>BRDCSL 16W WH - 001</b>
<b>BAJAJ ELECTRICALS LIMITED</b> 15/17, SANT SAVTA MARG, REAY ROAD, MUMBAI-400 010.				* E-mail : <a href="mailto:luminaires@bajajelectricals.com">luminaires@bajajelectricals.com</a>