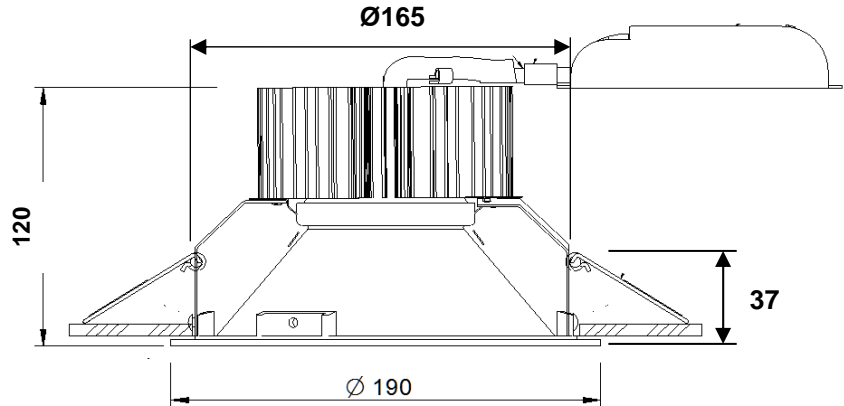




# RECESS MOUNTING LED DOWNLIGHTER

"Drone-i"

BCDLR 32 WH / NW / WW



**CUTOUT REQUIRED IN CEILING = Ø170mm**

NOMINAL DIMENSIONS IN mm Tolerance +/-5

## Application

- Retail showrooms,
- Gallery, Museum,
- Shopping malls,
- Show windows,
- Architectural lighting in modern offices, Etc.

## Specification

- Powder coated spun aluminium ring.
- LEDs module is mounted on extruded aluminum heat sink for better thermal management.
- Luminaire is available with different color temperature:
  - White (WH) : 5700°K ±300°K
  - Neutral White (NW): 4000°K ±275°K
  - Warm White (WW): 3000°K ±250°K
- LEDs incorporated in PMMA sheet for minimizing glare.
- Aluminium reflector is fixed with heat sink by SS clips.
- Constant current driver (**BDR 32**) in plastic capsule.
- Stainless steel springs for easy mounting.

## Electrical Data

| Product Code | Cat. Ref.   | Total Wattage LEDs (W) | Input Voltage (V) AC | System Current (Amp.) AC | System Wattage (W) AC | Power Factor |
|--------------|-------------|------------------------|----------------------|--------------------------|-----------------------|--------------|
| 112321       | BCDLR 32 WH | 30W max.               | 240                  | 0.140                    | 32                    | >0.95        |
| 112333       | BCDLR 32 NW | 30W max.               | 240                  | 0.140                    | 32                    | >0.95        |
| 112472       | BCDLR 32 WW | 30W max.               | 240                  | 0.140                    | 32                    | >0.95        |

Data subject to variation due to change/improvement in the design, materials and processes.

|  |                            |      |            |                                |
|--|----------------------------|------|------------|--------------------------------|
| <p><b>BAJAJ LUMINAIRES</b><br/>Making the difference</p> | DRAWN                      | KPM  | 13-05-2015 | FOR -                          |
|  | CHECKED                    | SD   |            | REV - 0 DATE-20-01-2016        |
|  | APPROVED                   | DVRS |            | DRG. No                        |
|  | DATA SHEET RELEASED ON DT- |      |            | <b>BCDLR 32 WH/NW/WW - 001</b> |