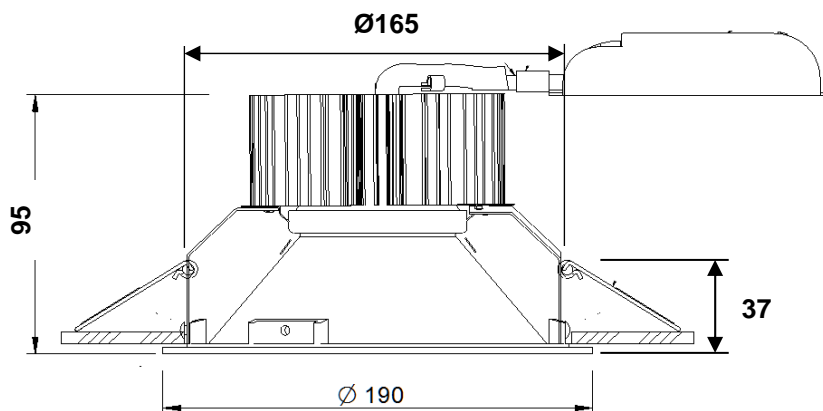




RECESS MOUNTING LED DOWNLIGHTER

"Drone-i"

BCDLR 20 WH / NW / WW



CUTOUT REQUIRED IN CEILING = Ø170mm

NOMINAL DIMENSIONS IN mm Tolerance +/-5

Application

- Retail showrooms,
- Gallery, Museum,
- Shopping malls,
- Show windows,
- Architectural lighting in modern offices, Etc.

Specification

- Powder coated spun aluminium ring.
- LEDs module is mounted on extruded aluminum heat sink for better thermal management.
- Luminaire is available with different color temperature: White (WH) : 5700°K ±300°K
Neutral White (NW): 4000°K ±275°K
Warm White (WW): 3000°K ±250°K
- LEDs incorporated in PMMA sheet for minimizing glare.
- Aluminium reflector is fixed with heat sink by SS clips.
- Constant current driver (**BDR 20**) in plastic capsule.
- Stainless steel springs for easy mounting.

Electrical Data

Product Code	Cat. Ref.	Total Wattage LEDs (W)	Input Voltage (V) AC	System Current (Amp.) AC	System Wattage (W) AC	Power Factor
112320	BCDLR 20 WH	18W max.	240	0.090	20	>0.95
112332	BCDLR 20 NW	18W max.	240	0.090	20	>0.95
112473	BCDLR 20 WW	18W max.	240	0.090	20	>0.95

Data subject to variation due to change/improvement in the design, materials and processes.

 BAJAJ LUMINAIRES <i>Making the difference</i>	DRAWN	KPM	13-05-2015	FOR –
	CHECKED	SD		REV - 0 DATE-20-01-2016
	APPROVED	DVRS		DRG. No
	DATA SHEET RELEASED ON DT-			BCDLR 20 WH/NW/WW - 001
BAJAJ ELECTRICALS LIMITED 15/17, SANT SAVTA MARG, REAY ROAD, MUMBAI-400 010.				* E-mail : luminaires@bajajelectricals.com