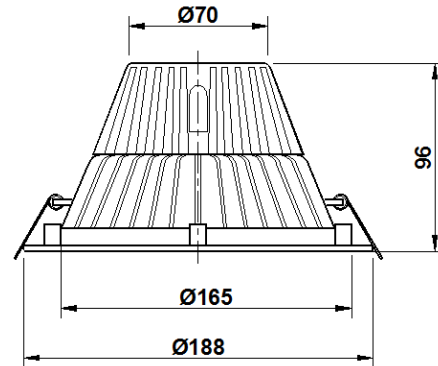




RECESS MOUNTING LED DOWNLIGHTER  
 "DOVEE PRO"  
 BZSLO 18W WH/NW PRO



CUTOUT REQUIRED IN CEILING: Ø170mm

NOMINAL DIMENSIONS IN mm Tolerance +/-2

### Application

- Retail showrooms,
- Gallery, Museum,
- Shopping malls,
- Show windows,
- Architectural lighting in modern offices, etc.

### Specification

- White powder coated die-cast aluminium housing.
- LED chips mounted on MCPCB, pasted on die-cast housing.
- Luminaire is available with different color temperature: White (WH) : 5700K  $\pm$ 300K  
Neutral White (NW): 4000K  $\pm$ 275K
- Specially designed flat opal diffuser fixed to housing with engg. Plastic front cover.
- Driver (BGDZ 32 480) installed on cast aluminium housing and prewired upto the terminal block.
- Spring loaded clips provided for easy installation.
- Ingress protection : IP20

### Electrical Data

Product Code	Cat. Ref.	System Wattage (W)	Nominal Voltage (V)	Mains Current in Amps. At 240 V	Power Factor
112126	BZSLO 18W WH PRO	18W	240	0.08	0.95
112127	BZSLO 18W NW PRO	18W	240	0.08	0.95

Data subject to variation due to change/improvement in the design, materials and processes.

<p><b>BAJAJ LUMINAIRE</b> Making the difference</p>	DRAWN	KPM	29-01-2015	FOR –
	CHECKED	SD		REV - 1 DATE-22-02-2018
	APPROVED	DVRS		DRG. No
	DATA SHEET RELEASED ON DT-			<b>BZSLO 18W WH/NW PRO - 01</b>