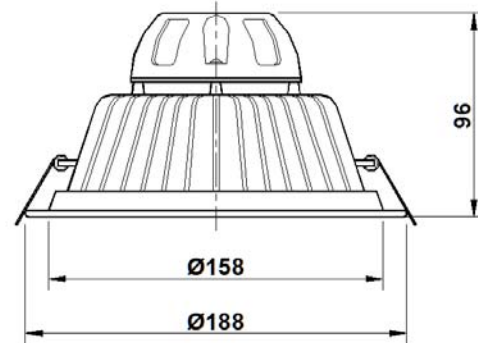




"DOVEE"  
RECESS MOUNTING LED DOWNLIGHTER  
BZSLO 18W WH



NOMINAL DIMENSIONS IN mm Tolerance +/-5

### Application

- Retail showrooms,
- Gallery, Museum,
- Shopping malls,
- Show windows,
- Architectural lighting in modern offices, etc.

### Specification

- White powder coated die-cast aluminium housing.
- High power White (WH) LED chips mounted on MCPCB, pasted on die-cast housing.
- Specially designed flat opal diffuser fixed to housing with engg. Plastic front cover.
- LED Colour temp. - 5700°K ±355
- Driver installed on cast aluminium housing and prewired upto the terminal block.
- Spring loaded clips provided for easy installation.

### Electrical Data

Product Code	Cat. Ref.	System Wattage (W)	Nominal Voltage (V)	Mains Current in Milli Amps. At 240 V	Power Factor
111628	BZSLO 18W WH	18W	240	80	0.95

Data subject to variation due to change/improvement in the design, materials and processes.

<p><b>BAJAJ LUMINAIRES</b> Making the difference</p>	DRAWN	KPM	07-03-2014	FOR – Std.
	CHECKED	DVRS		REV - 1 DATE-07-03-2014
	APPROVED	DVRS		DRG. No
	DATA SHEET RELEASED ON DT-			<b>BZSLO 18W WH - 001</b>
<b>BAJAJ ELECTRICALS LIMITED</b> 15/17, SANT SAVTA MARG, REAY ROAD, MUMBAI-400 010.				* E-mail : <a href="mailto:luminaires@bajajelectricals.com">luminaires@bajajelectricals.com</a>