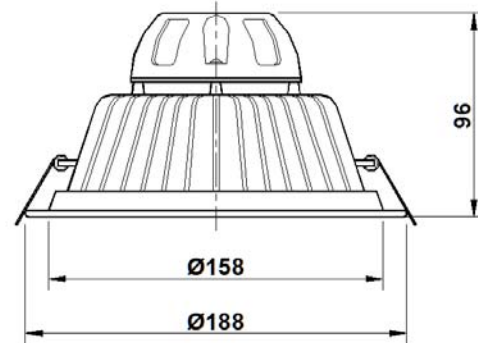




"DOVEE"
RECESS MOUNTING LED DOWNLIGHTER
BZSLO 15W NW



NOMINAL DIMENSIONS IN mm Tolerance +/-5

Application

- Retail showrooms,
- Gallery, Museum,
- Shopping malls,
- Show windows,
- Architectural lighting in modern offices, etc.

Specification

- White powder coated die-cast aluminium housing.
- High power Neutral White (NW) LED chips mounted on MCPCB, pasted on die-cast housing.
- Specially designed flat opal diffuser fixed to housing with engg. Plastic front cover.
- Driver installed on cast aluminium housing and prewired upto the terminal block.
- Spring loaded clips provided for easy installation.

Electrical Data

Product Code	Cat. Ref.	System Wattage (W)	Nominal Voltage (V)	Mains Current in Milli Amps. At 240 V	Power Factor
111612	BZSLO 15W NW	15W	240	66	0.95

Data subject to variation due to change/improvement in the design, materials and processes.

<p>BAJAJ LUMINAIRES Making the difference</p>	DRAWN	KPM	07-03-2014	FOR – Std.
	CHECKED	DVRS		REV - 1 DATE-07-03-2014
	APPROVED	DVRS		DRG. No
	DATA SHEET RELEASED ON DT-			BZSLO 15W NW - 001
BAJAJ ELECTRICALS LIMITED 15/17, SANT SAVTA MARG, REAY ROAD, MUMBAI-400 010.				* E-mail : luminaires@bajajelectricals.com