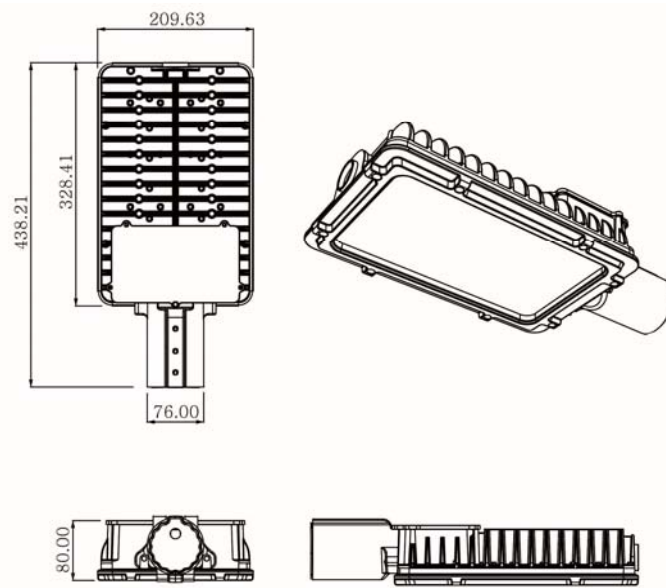




LED ROADWAY LIGHTING LUMINAIRE  
"EDGE-PLUS"

BRLEP 90W LED V2



NOMINAL DIMENSIONS IN mm Tolerance +/-5

**Application**

- Arterial roads, Main roads,
- Multi-level junctions, Traffic round-about,
- Civic centers. etc.

**Specification**

- Epoxy powder coated pressure die-cast aluminium housing with weatherproof gasket for LEDs and control gear compartments.
- Electrochemically brightened and anodized aluminium reflector.
- LED specification – High power LED chip, Color temp.: 5700K ±300K
- LEDs are provided with non-yellowing polycarbonate secondary lens optics.
- In addition to built-in 5kV surge protection in driver, it is equipped with 10kV external surge protection.
- Input voltage range: 100-300V AC.
- Side entry mounting for 50 to 60 mm OD pipe bracket.
- Ingress protection: IP66

**Electrical Data**

Product Code	Cat. Ref.	Input Voltage (V) AC	System Wattage (W) AC	System Current (Amp.) @240V AC	Power Factor
169911	BRLEP 90W LED V2	240	90	0.394	≥0.95

Data subject to variation due to change/improvement in the design, materials and processes.

<p><b>BAJAJ LUMINAIRES</b> Making the difference</p>	DRAWN	KPM	30-01-2017	FOR –
	CHECKED	AS		REV - 1 DATE-16-08-2017
	APPROVED	DVRS		DRG. No
	DATA SHEET RELEASED ON DT-			<b>BRLEP 90W LED V2 - 01</b>
<p><b>BAJAJ ELECTRICALS LIMITED</b> 15/17, SANT SAVTA MARG, REAY ROAD, MUMBAI-400 010.</p>				<p>* E-mail : <a href="mailto:luminaires@bajajelectricals.com">luminaires@bajajelectricals.com</a></p>