

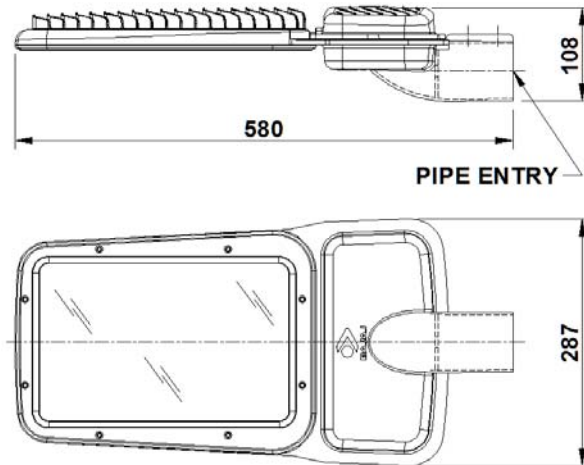


LED ROADWAY LIGHTING LUMINAIRE

"EDGE"

BRTFG 100W LED WW

TOP ACCESS TO DRIVER



NOMINAL DIMENSIONS IN mm Tolerance +/-5

Application

- Arterial roads,
- Main roads,
- Multi-level junctions,
- Traffic round-about,
- Civic centers. etc.

Specification

- Epoxy powder coated pressure die-cast aluminium housing with weatherproof gasket for LEDs and control gear compartments.
- Pressure die-cast aluminium frame with heat resistant toughened clear glass fixed with SS screws.
- LED specification – make – SEOUL/CREE LED
Colour temp. : 3000K
- Lens – make – LedLink / Equivalent
- In addition to built-in 5kV surge protection in driver, it is equipped with 10kV external surge protection.
- Input voltage range: 140–310V AC.
- Side entry mounting for 50 to 60 mm OD pipe bracket.
- Top maintenance – Access to driver is from the top.
- Ingress protection : IP66

Electrical Data

Product Code	Cat. Ref.	Input Voltage (V) AC	System Current (Amp.) @240V AC	System Wattage (W) AC	Power Factor
169885	BRTFG 100W LED WW	240	0.438	100	≥ 0.95

Data subject to variation due to change/improvement in the design, materials and processes.

<p>BAJAJ LUMINAIRE Making the difference</p>	DRAWN	KPM	27-06-2016	FOR – BEST
	CHECKED	SD		REV - 0 DATE-07-12-2016
	APPROVED	DVRS		DRG. No
	DATA SHEET RELEASED ON DT-			BRTFG 100W LED WW - 01