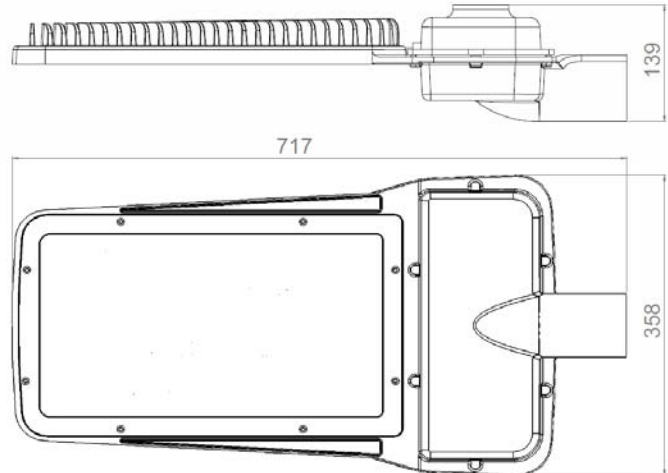




LED ROADWAY LIGHTING LUMINAIRE "EDGE" BRTFG 210W LED



NOMINAL DIMENSIONS IN mm Tolerance +/-5

Application

- Arterial roads,
- Main roads,
- Multi-level junctions,
- Traffic round-about,
- Civic centers. etc.

Specification

- Epoxy powder coated die-cast aluminium housing with weatherproof gasket for LEDs and control gear compartments.
- Die-cast aluminium frame with heat resistant toughened clear glass fixed with SS screws.
- LED specification – make - CREE LED / Equivalent
- Lens – make – LedLink / Equivalent
- Driver has protection against lightning, over voltage & short circuit.
- In addition to built-in 4kV surge protection in driver, it is equipped with make 10kV external surge protection.
- Input voltage range: 140–310V AC.
- Side entry mounting for 50 to 60 mm OD pipe bracket.
- Top maintenance – Access to driver is from the top.
- Ingress protection : IP65

Electrical Data

Product Code	Cat. Ref.	Input Voltage (V) AC	System Wattage (W) AC	System Current (Amp.) @240V AC	Power Factor	THD
169837	BRTFG 210W LED	240	210	1.059	>0.95	<10%

Data subject to variation due to change/improvement in the design, materials and processes.

<p>BAJAJ LUMINAIRE Making the difference</p>	DRAWN	KPM	22-04-2016	FOR –
	CHECKED	SD		REV - 0 DATE-25-05-2016
	APPROVED	DVRS		DRG. No
	DATA SHEET RELEASED ON DT-			BRTFG 210W LED - 001
BAJAJ ELECTRICALS LIMITED 15/17, SANT SAVTA MARG, REAY ROAD, MUMBAI-400 010.				* E-mail : luminaires@bajajelectricals.com