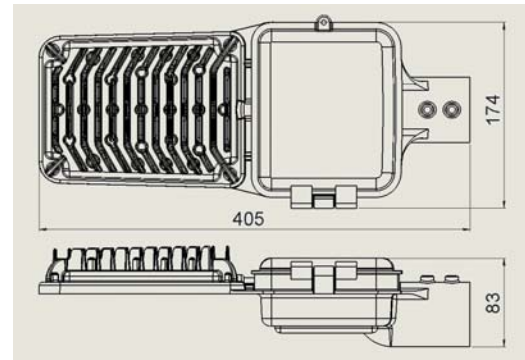




LED ROADWAYS LIGHTING LUMINAIRE
"EDGE"
BRTFG 72W LED V3 WH



NOMINAL DIMENSIONS IN mm Tolerance +/-5

Application

- Arterial roads, Main roads,
- Multi-level junctions,
- Traffic round-about,
- Civic centers, etc.

Specification

- Epoxy powder coated pressure die-cast aluminium housing with weatherproof gasket for LEDs and control gear compartments.
- Pressure die-cast aluminium frame with heat resistant toughened clear glass fixed with SS screws.
- LED specification – make - CREE LED / Equivalent.
- Lens – make – LedLink / Equivalent.
- In addition to built-in 5kV surge protection in driver, it is equipped with 10kV external surge protection.
- Input voltage range: 140-310V AC.
- Side entry mounting for 40 to 50 mm OD pipe bracket.
- Top maintenance – Access to driver is from the top.
- Ingress protection : IP66

Electrical Data

Product Code	Cat. Ref.	Input Voltage (V) AC	System Wattage (W) AC	System Current (Amp.) AC	Power Factor
169883	BRTFG 72W LED V3 WH	240	72	0.32	>0.95

Data subject to variation due to change/improvement in the design, materials and processes.

<p>BAJAJ LUMINAIRE Making the difference</p>	DRAWN	KPM	22-11-2016	FOR –
	CHECKED	RN		REV - 1 DATE-23-06-2017
	APPROVED	DVRS		DRG. No
	DATA SHEET RELEASED ON DT-			BRTFG 72W LED V3 WH- 001
BAJAJ ELECTRICALS LIMITED 15/17, SANT SAVTA MARG, REAY ROAD, MUMBAI-400 010			* E-mail : luminaires@bajajelectricals.com	