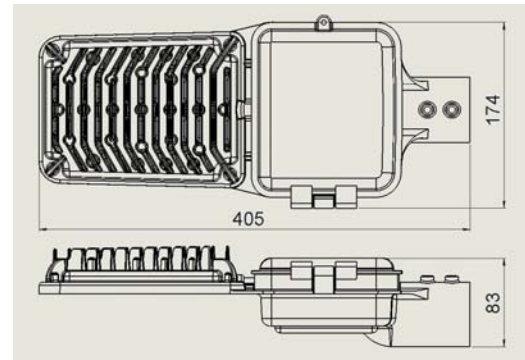




**LED ROADWAYS LIGHTING LUMINAIRE**  
**"EDGE"**  
**BRTFG 60W LED V3**



NOMINAL DIMENSIONS IN mm Tolerance +/-5

**Application**

- Arterial roads, Main roads,
- Multi-level junctions,
- Traffic round-about,
- Civic centers, etc.

**Specification**

- Epoxy powder coated pressure die-cast aluminium housing with weatherproof gasket for LEDs and control gear compartments.
- Pressure die-cast aluminium frame with heat resistant toughened clear glass fixed with SS screws.
- LED make: CREE LED / Equivalent.  
 Colour Temp.: 5700K ±300K
- Lens make: LedLink / Equivalent.
- Driver has protection against over voltage & short circuit.
- Input voltage range: 140-310V AC.
- Side entry mounting for 40 to 50 mm OD pipe bracket.
- Top maintenance: Access to driver is from the top.
- Ingress protection: IP66

**Electrical Data**

Product Code	Cat. Ref.	Input Voltage (V) AC	System Wattage (W) AC	System Current (Amp.) AC	Power Factor
169950	BRTFG 60W LED V3	240	60	0.263	>0.95

Data subject to variation due to change/improvement in the design, materials and processes.

<p><b>BAJAJ LUMINAIRES</b>                  Making the difference</p>	DRAWN	KPM	25-11-2016	FOR –
	CHECKED	RN		REV - 0 DATE-03-08-2017
	APPROVED	DVRS		DRG. No
	DATA SHEET RELEASED ON DT-			<b>BRTFG 60W LED V3 - 001</b>
<b>BAJAJ ELECTRICALS LIMITED</b> LUMINAIRES BU, 601, RUSTOMJEE ASPIREE, SION, MUMBAI-400 022.				* E-mail : <a href="mailto:luminaires@bajajelectricals.com">luminaires@bajajelectricals.com</a>