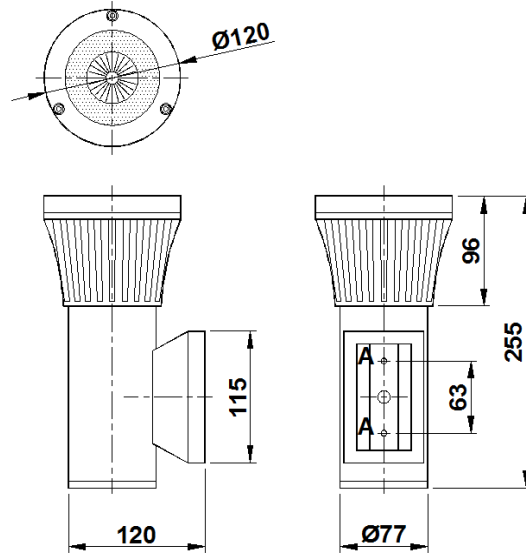




LED LANDSCAPE LIGHTING
 INTEGRAL WALL UP/DOWNLIGHT LED LUMINAIRE
 BLWUP 9W WW LED



A = 2 Nos., Ø5 HOLES FOR MOUNTING

NOMINAL DIMENSIONS IN mm Tolerance +/-5

Application

- Pillar lighting,
- Wall washer,
- Up/Down lighting in commercial premises.

Specification

- Graphite grey powder coated integral aluminium housing.
- Die-cast aluminium housing comprises Warm White (WW) COB LED and reflector.
- COB LED color temperature: 3000°K ±250°K
- COB LED housing covered with die-cast aluminium ring with weatherproof gasket and toughened glass.
- Suitable for wall mounting.
- Up-Downward light distribution.
- Degree of protection – IP65

Electrical Data

Product Code	Cat. Ref.	Input Voltage (V) AC	System Wattage (W) AC	System Current (Amp.) AC	Power Factor
112468	BLWUP 9W WW LED	240	9	0.040	0.95

Data subject to variation due to change/improvement in the design, materials and processes.

<p>BAJAJ LUMINAIRE Making the difference</p>	DRAWN	KPM	24-12-2015	FOR –
	CHECKED	RN		REV - 0 DATE-11-01-2016
	APPROVED	DVRS		DRG.No
	DATA SHEET RELEASED ON DT-			BLWUP 9W WW LED- 001
BAJAJ ELECTRICALS LIMITED 15/17, SANT SAVTA MARG, REAY ROAD, MUMBAI-400 010.				* E-mail : luminaires@bajajelectricals.com