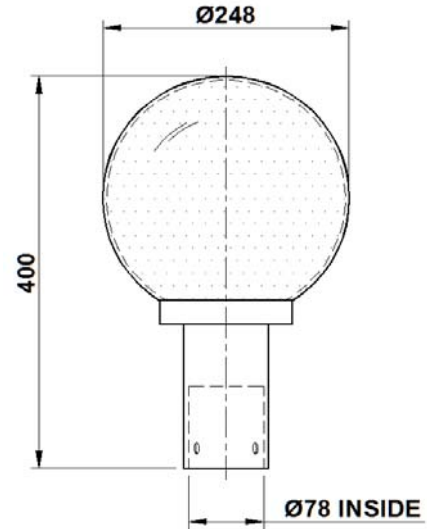




LED LANDSCAPE LIGHTING

BAJAJ BLPTSP 25W NW LED

Integral decorative pole mounted LED luminaire



NOMINAL DIMENSIONS IN mm Tolerance +/-5

Applications

- Parks and gardens,
- Pathways, Landscape lighting,
- Pedestrian, etc

Features

- Easy to install and maintain
- Degree of protection : IP65

Specifications

- "Spherical" shaped polycarbonate diffuser fixed with aluminium spigot.
- Graphite grey powder coated die-cast aluminium alloy spigot.
- Single LED with Neutral White (NW) COB technology for better output.
- COB LED color temperature: 4000°K ±275°K
- Constant current electronic driver having operating voltage range from 140-280 Volt AC; provided with high voltage, open and short circuit protection.
- Suitable for 76mm OD pole mounting bracket.

Electrical Data

Product Code	Cat. Ref.	Total System Wattage (W)	Nominal Voltage (V)	Mains Current in Amps. at 240 V	Power Factor
111741	BLPTSP 25W NW LED	25W	240	0.114	≥ 0.95

Data subject to variation due to change/improvement in the design, materials and processes.

<p>BAJAJ LUMINAIRES Making the difference</p>	DRAWN	KPM	01-03-2014	FOR -
	CHECKED	RN		REV - 2 DATE-15-09-2015
	APPROVED	DVRS		DRG. No
	DATA SHEET RELEASED ON DT-			BLPTSP 25W NW LED - 001