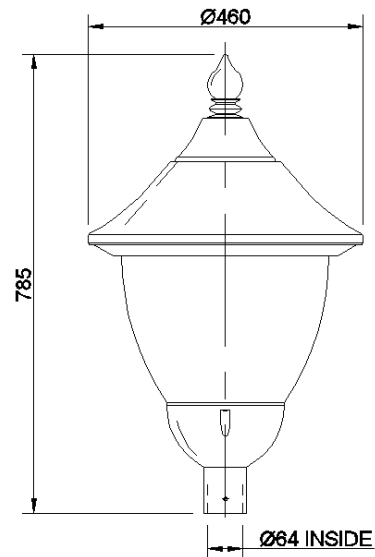




CELESTA

BGCL 40W LED

BGCL 70W LED



Dimensions in mm Tolerance +/-5

### Features

- Parks and gardens
- Entrance gates
- Pathways
- Residential colonies
- Security lighting, etc

### Applications

- Fully weather proof
- New generation accessories
- Easy to install and maintain
- Degree of protection: IP65

### Specification

- Spun aluminium graphite grey dust powder coated finished canopy.
- Cast aluminium spigot housing.
- Opal acrylic diffuser is provided.
- Low power LEDs connected in series and parallel combination with better heat dissipation arrangement.
- Highly efficient constant current electronic driver having operating voltage range from 140-280 Volt AC; provided with high voltage, open and short circuit protection.
- Suitable for 60mm OD pipe entry with fixing bolts.

### Electrical Data

Product Code	Cat. Ref.	System Wattage (W)	Nominal Voltage (Vac)	Mains Current In Milli Amps. At 240V AC	Power Factor
111538	BGCL 40W LED	40W	240	150	0.95
111539	BGCL 70W LED	70W	240	300	0.95

Data subject to variation due to change/improvement in the design, materials and processes.

 <b>BAJAJ LUMINAIRES</b> <i>Making the difference</i>	DRAWN	KPM	16-08-2013	FOR –
	CHECKED	RN		REV - 0      DATE-05-10-2013
	APPROVED	SC		DRG. No
	DATA SHEET RELEASED ON DT-			<b>BGCL 40/70W LED - 001</b>
<b>BAJAJ ELECTRICALS LIMITED</b> 15/17, SANT SAVTA MARG, REAY ROAD, MUMBAI-400 010.				* E-mail : <a href="mailto:luminaires@bajajelectricals.com">luminaires@bajajelectricals.com</a>