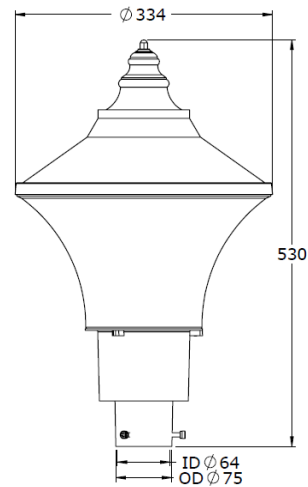




LED LANDSCAPE LIGHTING "ARIAN"

BAJAJ BGCT W4 LED WW



Dimensions in mm Tolerance +/-5

Applications

- Parks and gardens
- Entrance gates
- Pathways
- Residential colonies
- Security lighting

Specifications

- Die cast aluminum graphite grey powder coated spigot.
- Acrylic clear diffuser.
- Spun aluminum powder coated canopy.
- Low power Warm White (WW) LEDs connected in series and parallel combination with better heat dissipation arrangement.
- LED color temperature- 3000K \pm 300K
- Highly efficient constant current electronic driver having operating voltage range from 140-280 Volt AC; provided with high voltage, open and short circuit protection.
- Voltage surge protection 5KV
- Suitable for 60mm OD pipe entry with fixing bolts.
- Ingress protection: IP65

Electrical Data

Product Code	Cat. Ref.	Nominal Voltage (V)	Mains current in (A) at 240V	System Wattage (W)	Power Factor
112364	BGCT W4 LED WW	240	0.188	45	\geq 0.95

Data subject to variation due to change/improvement in the design, materials and processes.

<p>BAJAJ LUMINAIRES Making the difference</p>	DRAWN	KPM	10-09-2015	FOR -
	CHECKED	RN		REV - 1 DATE-13-02-2018
	APPROVED	DVRS		DRG. No
	DATA SHEET RELEASED ON DT-			BGCT W4 LED WW - 001
BAJAJ ELECTRICALS LIMITED LUMINAIRES BU, 601, RUSTOMJEE ASPIREE, SION, MUMBAI-400 022. * E-mail : luminaires@bajajelectricals.com				