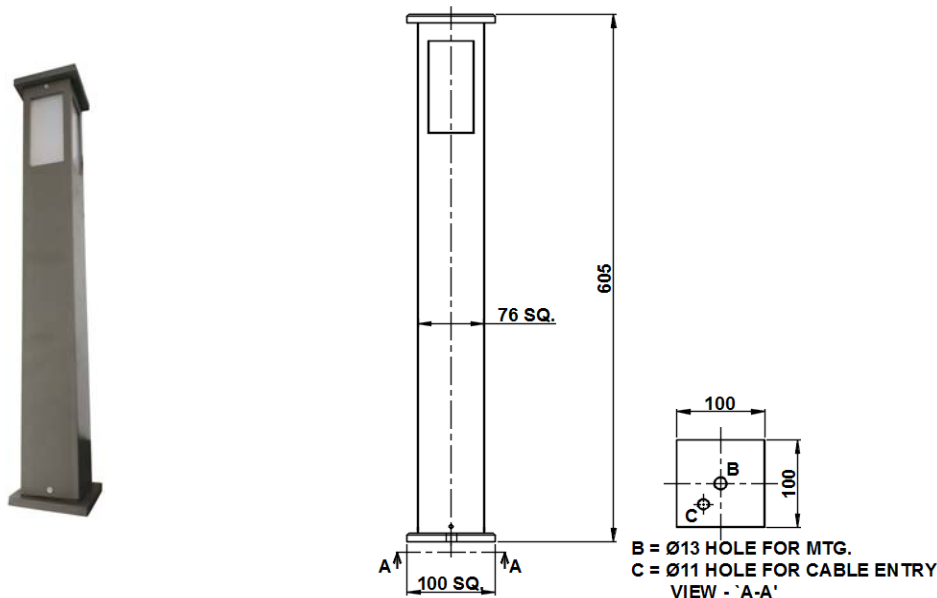




LANDSCAPE LIGHTING "TETRIS"

**BAJAJ** BGBOS 605 9W LED

Square shape, integral decorative LED bollard with opal acrylic



Dimensions in mm Tolerance +/-5

**Application**

- Lighting of pathway,
- Landscape,
- Gardens, Parks, etc.

**Specification**

- Graphite grey powder coated square extruded aluminium housing.
- Injection molded opal polycarbonate diffuser is fixed in die-cast aluminium frames on four sides for pleasant light output.
- LEDs mounted on top die-cast aluminium plate.
- Driver for 9W LEDs.
- Luminaire is available with color temperature: Warm White (WW): 3000K ±250K
- Maintenance done by separating the bollard from base plate.
- Luminaire is provided with a base plate and fixing holes for directly mounting on the concrete pedestal.
- Finish: Graphite grey powder coated.
- Degree of protection: IP65

**Electrical Data**

Product Code	Cat. Ref.	Lamp Type & Wattage (W)	Nominal Voltage (V)	Mains Current in Amps. at 240 V
111771	BGBOS 605 9W LED	3 nos. x 3W	240	0.05

Data subject to variation due to change/improvement in the design, materials and processes.

<p><b>BAJAJ LUMINAIRES</b> Making the difference</p>	DRAWN	KPM	18-10-2012	FOR –
	CHECKED	RN		REV - 3 DATE-27-03-2017
	APPROVED	DVRS		DRG.No
	DATA SHEET NOT RELEASED FOR MARKETING			<b>BGBOS 605 9W LED - 01</b>
<b>BAJAJ ELECTRICALS LIMITED</b> 15/17, SANT SAVTA MARG, REAY ROAD, MUMBAI-400 010.				* E-mail : <a href="mailto:luminaires@bajajelectricals.com">luminaires@bajajelectricals.com</a>