



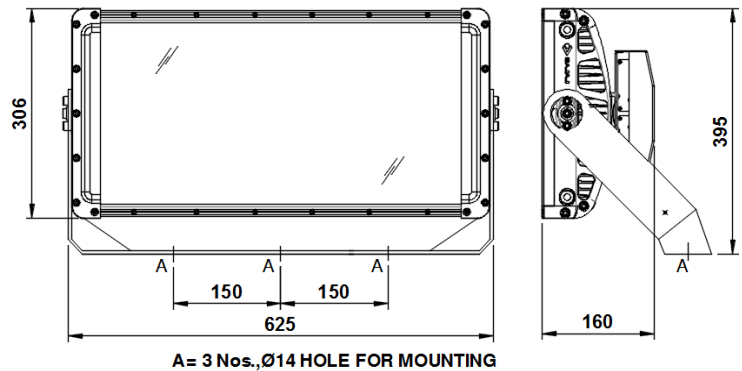
AREA LIGHTING
"TurboLED"
BARFEG 350W LED

Rectangular Integral 350W LED Floodlight



Extruded Alu. Heat sink

Pressure Die-cast Alu. Cover holding extruded Alu. Heat sink



Nominal dimensions in mm Tolerance +/-5 (Except mtg. Hole)

Application

- Industrial areas, Storage yards,
- Container berths, Docks and ports,
- Airport aprons, Flyovers & bridges,
- Railway marshalling yards.

Specification

- Extruded aluminium heat sink, designed to act as efficient heat dissipater – important for LED luminaires.
- Pressure die-cast aluminium cover on both sides for holding of extruded aluminium heat sink.
- Luminaire provided with heat resistant toughened glass.
- Control gear compartment is an integral part of luminaire.
- LED specification – Make – CREE LED / Equivalent.
 Colour Temp. - 5700K ±300K
- LEDs are provided with secondary lens optics to get optimum optical performance.
- The driver used is specially designed to have surge voltage, open/short circuit protections.
- Luminaire is provided with a mounting bracket fixed on pressure die-cast aluminium covers for aiming adjustment.
- Degree of protection - IP66

Electrical Data

| Product Code | Cat. Ref. | Nominal Voltage (V) | System Wattage (W) | System Current In Amps. At 240V AC | Power Factor |
|--------------|-----------------|---------------------|--------------------|------------------------------------|--------------|
| 169839 | BARFEG 350W LED | 240 | 350 | 1.53 | > 0.95 |

Data subject to variation due to change/improvement in the design, materials and processes.

| | | | | |
|---|---------------------------|------|------------|---|
| <p>BAJAJ LUMINAIRES Making the difference</p> | DRAWN | KPM | 19-05-2016 | FOR – |
| | CHECKED | SD | | REV - 0 DATE-28-06-2016 |
| | APPROVED | DVRS | | DRG. No |
| | DATA SHEET NOT RELEASED : | | | BARFEG 350W LED – 001 |
| BAJAJ ELECTRICALS LIMITED 15/17, SANT SAVTA MARG, REAY ROAD, MUMBAI-400 010. | | | | E-mail : luminaires@bajajelectricals.com |