



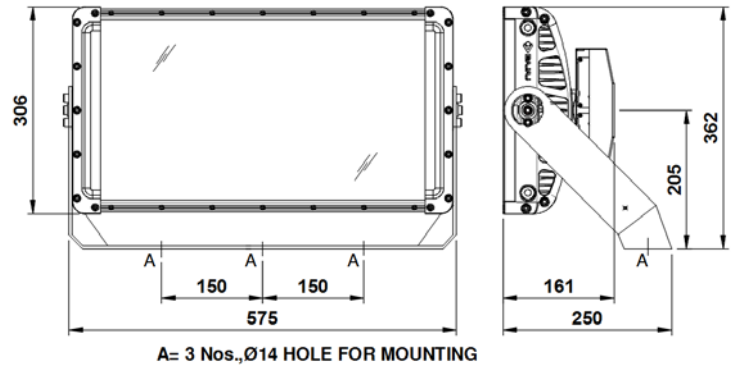
AREA LIGHTING
"TurboLED"
BARFEG 300W LED

Rectangular Integral 300W LED Floodlight



Extruded Alu. Heat sink

Pressure Die-cast Alu. Cover holding extruded Alu. Heat sink



Nominal dimensions in mm Tolerance +/-5 (Except mtg. Hole)

Application

- Lighting of small to medium size bill boards,
- Parking areas around the residences, building complexes and colonies,
- Security lighting,
- General area lighting,
- Lighting of monuments, etc.

Specification

- Extruded aluminium heat sink, designed to act as efficient heat dissipater – important for LED luminaires.
- Pressure die-cast aluminium cover on both sides for holding of extruded aluminium heat sink.
- Luminaire provided with heat resistant toughened glass.
- Control gear compartment is an integral part of luminaire.
- LED specification – Make – CREE LED / Equivalent.
 Colour Temp. - 5700K
- LEDs are provided with secondary lens optics to get optimum optical performance.
- The driver used is specially designed to have surge voltage, open/short circuit protections.
- Luminaire is provided with a mounting bracket fixed on pressure die-cast aluminium covers for aiming adjustment.
- Degree of protection - IP66

Electrical Data

Product Code	Cat. Ref.	Nominal Voltage (V)	System Wattage (W)	System Current In Amps. At 240V AC	Power Factor
169908	BARFEG 300W LED	240	300	1.31	> 0.95

Data subject to variation due to change/improvement in the design, materials and processes.

<p>BAJAJ LUMINAIRES Making the difference</p>	DRAWN	KPM	01-06-2016	FOR –
	CHECKED	SP		REV - 0 DATE-09-02-2017
	APPROVED	DVRS		DRG. No
	DATA SHEET NOT RELEASED :			BARFEG 300W LED – 001
BAJAJ ELECTRICALS LIMITED 15/17, SANT SAVTA MARG, REAY ROAD, MUMBAI-400 010.				* E-mail : luminaires@bajajelectricals.com