

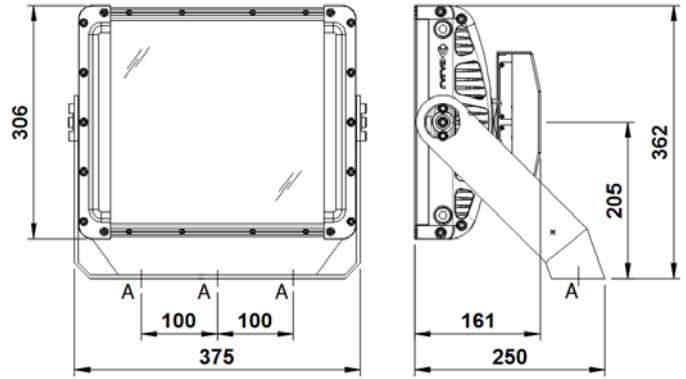


AREA LIGHTING
"TurboLED"
BARFEG 120W LED

Rectangular Integral 120W LED Floodlight



Pressure Die-cast Alu. Cover holding extruded Alu. Heat sink



A= 3 Nos., Ø14 HOLE FOR MOUNTING

Nominal dimensions in mm Tolerance +/-5 (Except mtg. Hole)

Application

- Lighting of small to medium size bill boards,
- Parking areas around the residences, building complexes and colonies,
- Security lighting,
- General area lighting,
- Lighting of monuments, etc.

Specification

- Extruded aluminium heat sink, designed to act as efficient heat dissipater – important for LED luminaires.
- Pressure die-cast aluminium cover on both sides for holding of extruded aluminium heat sink.
- Luminaire provided with heat resistant toughened glass.
- Control gear compartment is an integral part of luminaire.
- LED specification – Make – CREE LED / Equivalent.
 Colour Temp. - 5700K ±300K
- LEDs are provided with secondary lens optics to get optimum optical performance.
- The driver used is specially designed to have surge voltage, open/short circuit protections.
- Luminaire is provided with a mounting bracket fixed on pressure die-cast aluminium covers for aiming adjustment.
- Degree of protection - IP66

Electrical Data

Product Code	Cat. Ref.	Nominal Voltage (V)	System Wattage (W)	System Current In Amps. At 240V AC	Power Factor
169641	BARFEG 120W LED	240	120	0.530	> 0.95

Data subject to variation due to change/improvement in the design, materials and processes.

<p>BAJAJ LUMINAIRES Making the difference</p>	DRAWN	KPM	25-07-2015	FOR –
	CHECKED	SP		REV - 0 DATE-01-06-2016
	APPROVED	DVRS		DRG. No
	DATA SHEET RELEASED ON DT-			BARFEG 120W LED – 001