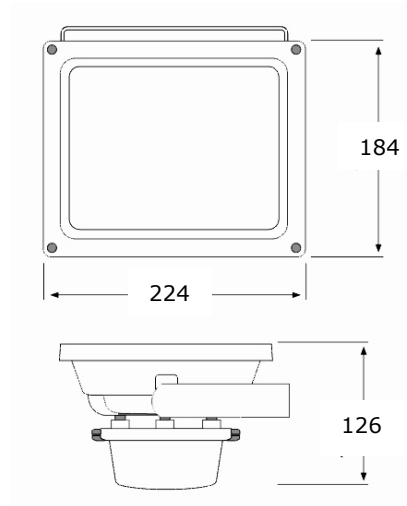




LED AREA LIGHTING

BJFL 30W LED

Integral LED floodlight luminaire



Nominal dimensions in mm Tolerance +/-5 (Except mtg. Hole)

Application

- Tunnel lighting,
- Parking areas around the residences, building complexes and colonies,
- Security lighting,
- General area lighting,
- Lighting of monuments.

Specification

- Die-cast aluminum housing designed to act as heat sink for efficient dissipation of heat.
- Electrochemically brightened and anodized aluminum reflector.
- Heat resistant toughened glass is provided with die-cast aluminium frame. (IK 08)
- Luminaires provided with a mounting bracket for aiming adjustment.
- Driver is provided with open and short circuit protection.
- Finish: Powder coated.
- Degree of protection - IP65

Electrical Data

Product Code	Cat. Ref.	Nominal Voltage (V) AC	System Current In Amps. At 240V AC	System Wattage (W)	Power Factor
112716	BJFL 30W LED	240	0.135	30	≥ 0.90

Data subject to variation due to change/improvement in the design, materials and processes.

<p>BAJAJ LUMINAIRES Making the difference</p>	DRAWN	VDS	10-05-2016	FOR -
	CHECKED	RN		REV - 0 DATE-27-10-2016
	APPROVED	DVRS		DRG. No
	DATA SHEET RELEASED ON DT-			BJFL 30W LED - 001
BAJAJ ELECTRICALS LIMITED 15/17, SANT SAVTA MARG, REAY ROAD, MUMBAI-400 010.				* E-mail : luminaires@bajajelectricals.com