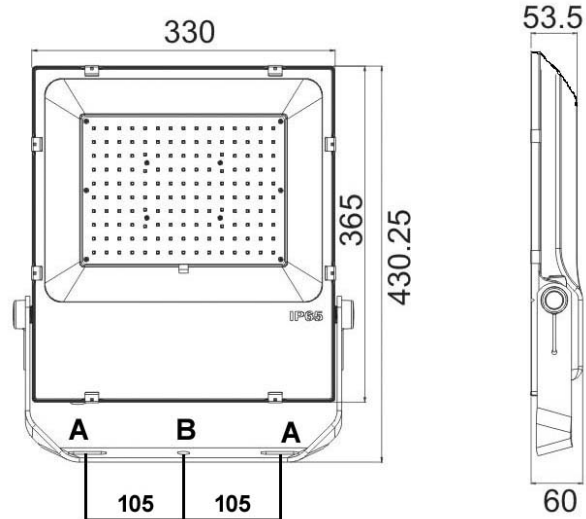




LED AREA LIGHTING "AMAZE"

BJFL 150W LED I

Integral 150W floodlight luminaire.



A = SLOTS, 40mm Lg. x 10mm WIDE - 2 Nos.
 B = DIA 12.5mm HOLE - 1 No.

Nominal dimensions in mm Tolerance +/-5 (Except mtg. Hole)

Application

- Lighting of small to medium size bill boards,
- Parking areas around the residences, building complexes and colonies,
- Security lighting,
- General area lighting,
- Lighting of monuments, etc.

Specification

- Pressure die-cast aluminum LED housing designed to act as heat sink for efficient dissipation of heat.
- Electrochemically brightened and anodized aluminum reflector.
- Heat resistant toughened glass is provided with gasket and SS clips to ensure ingress protection of IP65.
- LED Colour Temp.: 5700K
- Luminaires provided with a mounting bracket for aiming adjustment.
- Driver is provided with input voltage surge, open and short circuit protection.
- Finish: Powder coated.

Electrical Data

Product Code	Cat. Ref.	Nominal Voltage (V) AC	System Wattage (W)	System Current In Amps. At 240V AC	Power Factor
169930	BJFL 150W LED I	240	150	0.63	≥ 0.95

Data subject to variation due to change/improvement in the design, materials and processes.

<p>BAJAJ LUMINAIRES Making the difference</p>	DRAWN	VDS	02-06-2017	FOR -
	CHECKED	SD		REV - 0 DATE-02-06-2017
	APPROVED	DVRS		DRG. No
	DATA SHEET RELEASED ON DT-			BJFL 150W LED I - 001