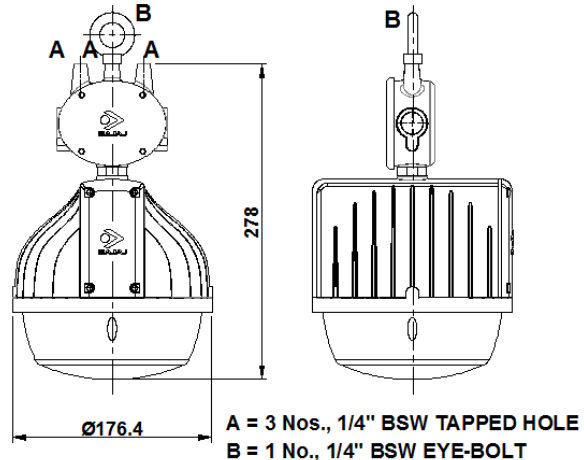




INDUSTRIAL LIGHTING VERDANT

BIWIDP 65W WH LED / BIWIDP 65W WW LED

Integral wellglass LED Luminaire



Dimensions in mm Tolerance ± 5 mm

Application

- Thermal Power Stations,
- Fertilizers plants,
- Pelletizing Plants,
- Cement Factories,
- Paper Mills, industrial bays,

Specification / Features

- Epoxy Powder coated finished pressure die-cast aluminum housing.
- Diffused polycarbonate front cover in wellglass form with specially designed gasket.
- Built in control gear for 65W LED.
- Junction Box provided for easy installation with Loop in-Loop out.
- Luminaire is available with different color temperature: White (WH) : 5700K ± 300 K
Warm White (WW): 3000K ± 250 K
- I-Bolt is provided for easy installation.
- Degree of protection: IP65

Electrical Data

Product Code	Cat. Ref.	Nominal Voltage (V)	System Wattage (Watts)	Mains Current in Amps. at 240 V	Power Factor
169951	BIWIDP 65W WH LED	240	65W	0.27	>0.95
169952	BIWIDP 65W WW LED	240	65W	0.27	>0.95

Data subject to variation due to change/improvement in the design, materials and processes.

<p>BAJAJ LUMINAIRE Making the difference</p>	DRAWN	KPM	01-06-2017	FOR –
	CHECKED	RN		REV - 0 DATE--22-08-2017
	APPROVED	DVRS		DRG.No
	DATA SHEET RELEASED ON DT-			BIWIDP 65W WH LED - 001
BAJAJ ELECTRICALS LIMITED LUMINAIRE BU, 601, RUSTOMJEE ASPIREE, SION, MUMBAI-400 022. * E-mail : luminaires@bajajelectricals.com				