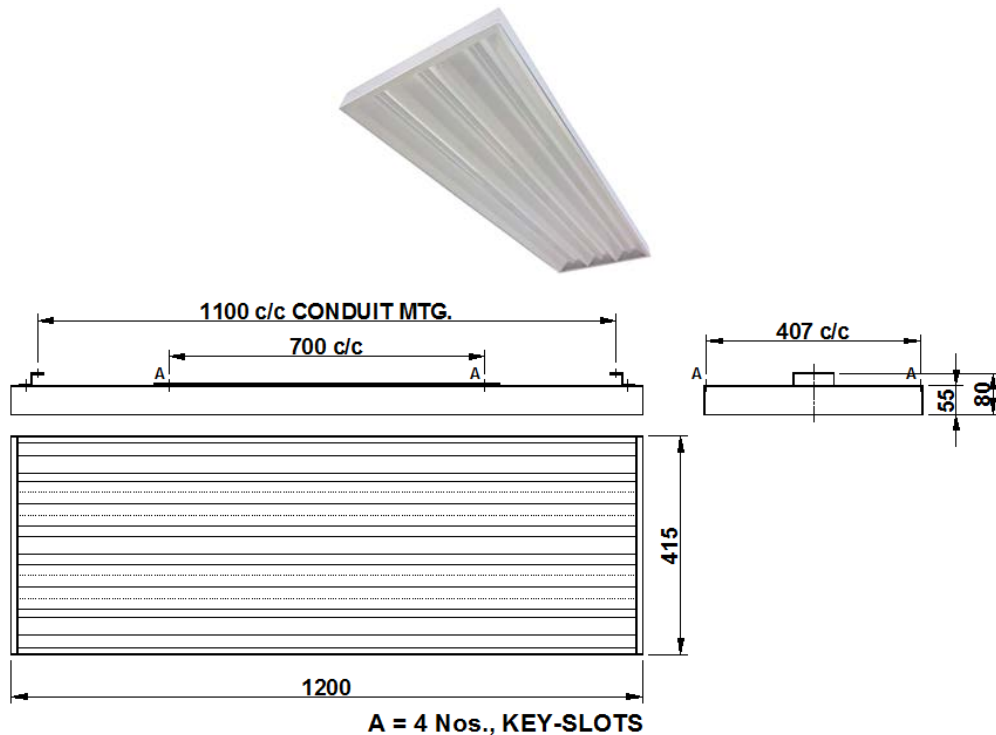




## Integral LED Bay Luminaire

BAJAJ BTS 120W LED WH



Dimensions in mm Tolerance: +/-5

## Application

- Departmental Stores and control rooms,
- Entrance Lobbies,
- Bank and Offices,
- Conference halls and control rooms,
- Hospital and laboratories,
- Computer centers, Etc.

## Specification

- Energy saving decorative surface/suspended mounted LED luminaire.
- The elegant design enhances the aesthetic and suits indoor usage.
- CRCA steel sheet housing comprising of polycarbonate diffusers and White (WH) LED's.
- White powder coated reflector for enhanced light distribution.
- Control gear access on top side.
- Wired with constant current driver.
- Degree of protection: IP20

## Electrical Data

Product Code	Cat. Ref.	System Wattage (W)	Nominal Voltage (V)	Mains Current in Milli Amps. At 240 V	Power Factor
112449	BTS 120W LED WH	120W	240	530	0.95

Data subject to variation due to change/improvement in the design, materials and processes.

	DRAWN	KPM	31-08-2015	FOR –
	CHECKED	SP		REV - 0 DATE-20-11-2015
	APPROVED	DVRS		DRG.No
	DATA SHEET RELEASED ON DT-			<b>BTS 120W LED WH - 001</b>
BAJAJ ELECTRICALS LIMITED 15/17, SANT SAVTA MARG, REAY ROAD, MUMBAI-400 010.				* E-mail : <a href="mailto:luminaires@bajajelectricals.com">luminaires@bajajelectricals.com</a>