



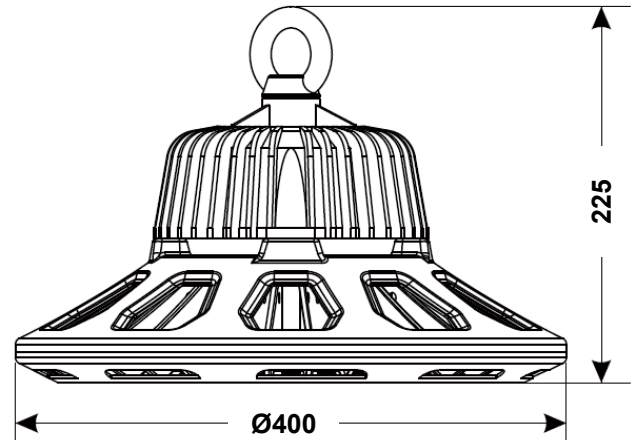
LED INDUSTRIAL LIGHTING

"BLAZE"

BAJAJ

BGHBM 200W XE

200W LED Highbay Luminaire



NOMINAL DIMENSIONS IN mm Tolerance +/-5

Application

- Airport hangers and warehouses, Heavy engineering industries,
- Thermal power stations, Railway concourse halls, Steel plants,
- Shopping malls, Departmental stores, Food plaza, etc.

Specification

- AL1070 Powder coated Aluminium housing.
- Powder coated control gear unit made of pressure die-cast aluminium.
- LED fixed to MCPCB on aluminum housing for proper thermal management.
- LED Colour Temp. : 5700K
- Optics: Secondary lens optics provided.
- Constant current LED driver provided with surge protection of 4kV.
- Input voltage range: 120–277V AC.
- Completely prewired with accessories.
- Eye-bolt provided for suspension mounting.
- Ingress Protection: IP65
- Finish: Glossy, black powder coated.

Electrical Data

| Product Code | Cat. Ref. | Nominal Voltage (V) AC | System Wattage (W) | Mains Current in Amps. At 240V AC | Power Factor |
|--------------|---------------|------------------------|--------------------|-----------------------------------|--------------|
| 169897 | BGHBM 200W XE | 240 | 200W | 0.877 | > 0.91 |

Data subject to variation due to change/improvement in the design, materials and processes.

| | | | | |
|---|----------------------------|------|------------|---|
| BAJAJ LUMINAIRES <i>Making the difference</i> | DRAWN | KPM | 16-12-2016 | FOR – |
| | CHECKED | AS | | REV - 1 DATE-13-02-2017 |
| | APPROVED | DVRS | | DRG. No |
| | DATA SHEET RELEASED ON DT- | | | BGHBM 200W XE - 001 |
| BAJAJ ELECTRICALS LIMITED 15/17, SANT SAVTA MARG, REAY ROAD, MUMBAI-400 010. | | | | * E-mail : luminaires@bajajelectricals.com |