



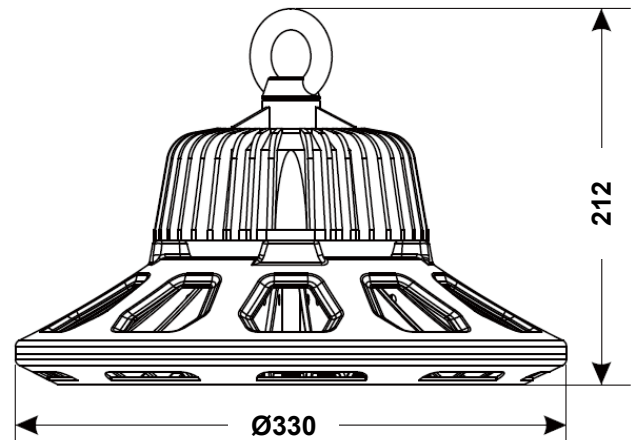
LED INDUSTRIAL LIGHTING

"BLAZE"

BAJAJ

BGHBM 120/150W XE

120W/150W LED Highbay Luminaire



NOMINAL DIMENSIONS IN mm Tolerance +/-5

Application

- Airport hangers and warehouses, Heavy engineering industries,
- Thermal power stations, Railway concourse halls, Steel plants,
- Shopping malls, Departmental stores, Food plaza, etc.

Specification

- AL1070 Powder coated Aluminium housing.
- Powder coated control gear unit made of pressure die-cast aluminium.
- LED fixed to MCPCB on aluminum housing for proper thermal management.
- LED Colour Temp. : 5700K
- Optics: Secondary lens optics provided.
- Constant current LED driver provided with surge protection of 4kV.
- Input voltage range: 120–277V AC.
- Completely prewired with accessories.
- Eye-bolt provided for suspension mounting.
- Ingress Protection: IP65
- Finish: Glossy, black powder coated.

Electrical Data

Product Code	Cat. Ref.	Nominal Voltage (V) AC	System Wattage (W)	Mains Current in Amps. At 240V AC	Power Factor
169895	BGHBM 120W XE	240	120W	0.526	> 0.92
169896	BGHBM 150W XE	240	150W	0.657	> 0.92

Data subject to variation due to change/improvement in the design, materials and processes.

<p>BAJAJ LUMINAIRE Making the difference</p>	DRAWN	KPM	16-12-2016	FOR –
	CHECKED	AS		REV - 01 DATE–13-02-2017
	APPROVED	DVRS		DRG. No
	DATA SHEET RELEASED ON DT-			BGHBM 150W XE - 001