



Illuminate Your Pathways



BAJAJ TORCIA
LED BOLLARD LIGHT



TORCIA

LED Bollard Light

Bajaj Torcia offers a sophisticated solution for lighting up approach roads and pathways.

This pillar-designed bollard fixture provides soft illumination, making it ideal for enhancing visibility and guiding pedestrians.

PRODUCT FEATURES

- Epoxy powder coated housing in Graphite Grey finish
- Anti-glare UV Stabilized PC diffuser
- No harmful UV & IR radiation
- Environment friendly, without mercury
- Pre-wired with potted constant current integrated LED driver
- Symmetrical Light Distribution.

BENEFITS

- Simple and Robust design
- Quick and easy Installation
- Maintenance free

APPLICATIONS



Pathways



Approach roads for commercial and residential complexes



Garden and Park Roads



Gate and Parapet Wall Illumination



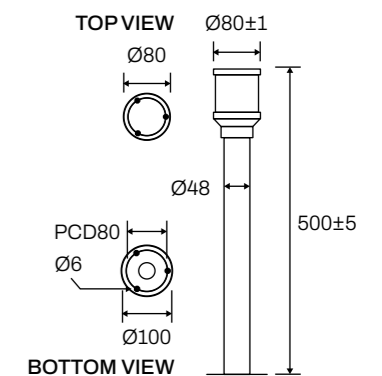
GENERAL INFORMATION

Product Category	: LED Landscape Light
Luminous flux**	: 765 lm
Luminaire efficacy*	: 85 lm / W
CCT	: 3000K
CRI	: >70
Maintenance of lumen output	: 50,000 hrs.
Operating Temperature Range	: -10°C to +45°C

OPERATING & ELECTRICAL

Input Voltage	: 140V to 270V AC
Input Frequency	: 50 Hz
System Current in Amp.	: 0.04A @240V AC
Power Factor	: ≥0.9
Built-in Surge protection	: 4 kV
THD@240V	: <15%
Ingress Protection	: IP 65
Impact Protection	: IK06

DIMENSIONAL DRAWING



Tolerance in dimensions will be ±2mm

Wattage	Cat Ref.	Case Lot
9W	BAJAJ TORCIA 9W 30K 50 C3 GG	6N



Electricals

27th Floor, One Unity Center (Erstwhile One International Center, Tower 4),
Senapati Bapat Marg, Prabhadevi (West), Mumbai – 400013 | Tel.: 022-2406 4400
E-mail: illumination@bajajelectricals.com | www.bajajelectricals.com

[f /BajajElecBiz](#) [X /BajajElecBiz](#) [i /bajajelecbiz](#) [in /BajajElectricals](#)

Images of the products shown are for representation purpose only
and the actual colour/size may vary.