

TECHNICAL SPECIFICATIONS



System Wattage
15W, 10W



Total Harmonic Distortion
<10%



Color Rendering Index (CRI)
>70



Operating Temperature Range
-10°C to +45°C



Correlated Color Temperature
3000K



Surge protection
Built-in 4kV



Life @ L70B50
50,000 hrs.



Ingress Protection
IP65



Impact Protection
IK07

ORDERING DATA

Wattages	Catalogue Reference
15W	BAJAJ TLLUM 15W 30K 80 C3 GW S
10W	BAJAJ TLLUM 10W 30K 80 C3 GW S
15W	BAJAJ TLLUM 15W 30K 80 C3 MS S
10W	BAJAJ TLLUM 10W 30K 80 C3 MS S

Options of 5700K available on request.



Electricals

27th Floor, One Unity Center (Erstwhile One International Center, Tower 4),
Senapati Bapat Marg, Prabhadevi (West), Mumbai – 400013 | Tel.: 022-2406 4400
E-mail: illumination@bajajelectricals.com | www.bajajelectricals.com

[f /BajajElecBiz](#) [x /BajajElecBiz](#) [i /bajajelecbiz](#) [in /BajajElectricals](#)

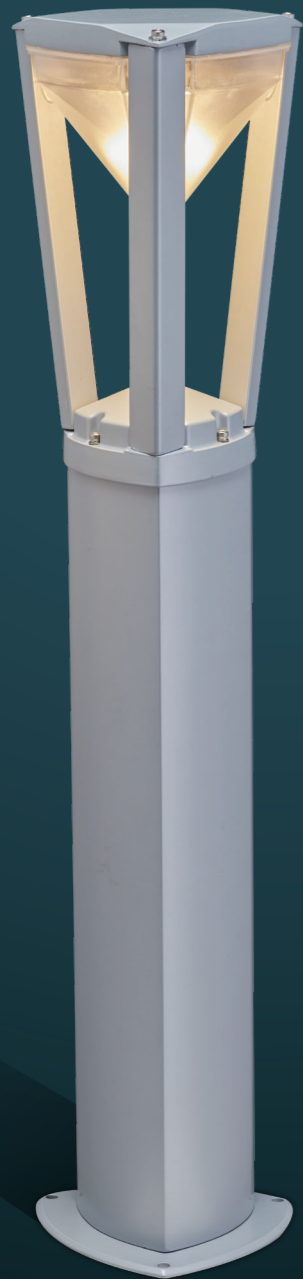
Images of the products shown are for representation purpose only
and the actual colour/size may vary.



BAJAJ TLLUM
LED BOLLARD

BAJAJ TLLUM

LED BOLLARD

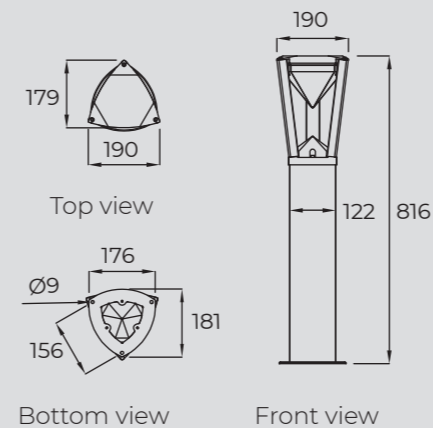


Design Your Landscape with Beauty

Introducing the BAJAJ TLLUM bollards the ultimate solution for garden and periphery lighting that seamlessly combines both design and practicality. With an anti-glare, UV-stabilized clear opal acrylic diffuser, the TLLUM emits a gentle, ambient light, perfect for enhancing outdoor environments.

Constructed with durability in mind, TLLUM ensures maintenance-free performance, making it a reliable choice for any outdoor setting. Its unique triangular design and two Color variants make it a top pick for designers aiming to meet functionality with aesthetic appeal.

Illuminate your spaces with elegance and confidence with "BAJAJ TLLUM" bollards.



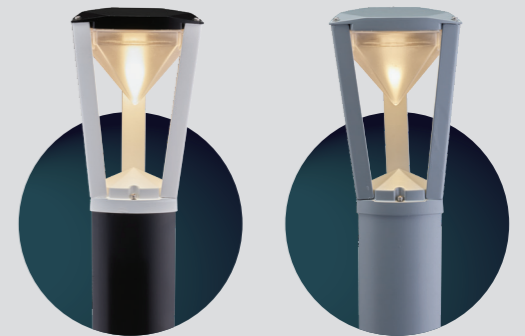
BENEFITS



Elegant design



Citisol compatible



Two color variants

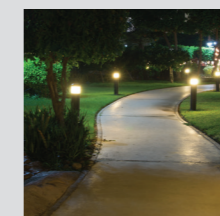
Grey-White

Metallic Silver

FEATURES

- Die cast aluminium top cover extruded aluminium housing.
- Powder coated in Graphite Grey / Metallic Silver
- Anti glare UV stabilized clear opal acrylic diffuser.
- Rugged construction and maintenance free performance.
- Constant current electronic driver provided with high Voltage, open & short circuit protection.
- Easy to install & maintain.

APPLICATIONS



Urban Landscapes



Car Parks



Squares & Pedestrian Areas



Bike & Pedestrian Paths