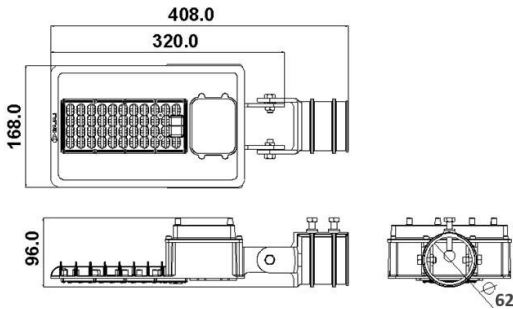




# BRLEP 90W LED V3 E PR

## Edge Plus LED Street Light 90W 757



Overall Tolerance  $\pm 3\text{mm}$

### General Information

Product Category	LED Street Light
System Wattage**	90W
Luminous flux**	10,800 lm
Luminaire efficacy*	120 lm/W
Correlated Color Temperature	5665 $\pm$ 355K
Color Rendering Index	>70
Maintenance of lumen output	50,000 hrs.
Operating Temperature Range	-20°C to 50°C
Electrical Class	Electrical Class I

### Operating and Electrical

Input Voltage	120V to 270V AC
Input Frequency	50 Hz
System Current in Amp. @240V AC	0.39A
Power Factor	$\geq 0.95$
THD	<10%
Built-in Surge protection	4kV
External Surge Protection	10kV
Ingress Protection	IP66
Impact Protection	IK07

### Product Data and Ordering Data

Product Cat. Ref.	BRLEP 90W LED V3 E PR
Product Code	PROVISIONAL

### Features

Epoxy powder coated pressure die-cast aluminium housing.

LEDs are provided with non-yellowing decorative IP lens optics.

Silicon gaskets provided for LEDs and control gear compartments.

The driver used is specially designed to have built-in surge voltage, open/short circuit protections.

External surge protection provided for additional safety.

Side entry mounting for 50 to 58mm OD pipe bracket.

\* As per the IS 16107 part 2- sec1 clause no. 8.3, measured luminaire efficacy shall not be less than 90% of rated value.

\*\*As per the IS 16107 part 2- sec1 and 16103 part 2, clause no. 7 and 8.1 respectively, measured luminaire wattage shall not vary by more than +10% of rated value and luminaire lumen shall not vary by less than -10% of rated value.

Doc. No.: ILLUM/TDS/2324/SL/XXX Rev-00, Dated.07/09/2023

Note: Data subject to variation due to change/improvement in the design, materials and processes.